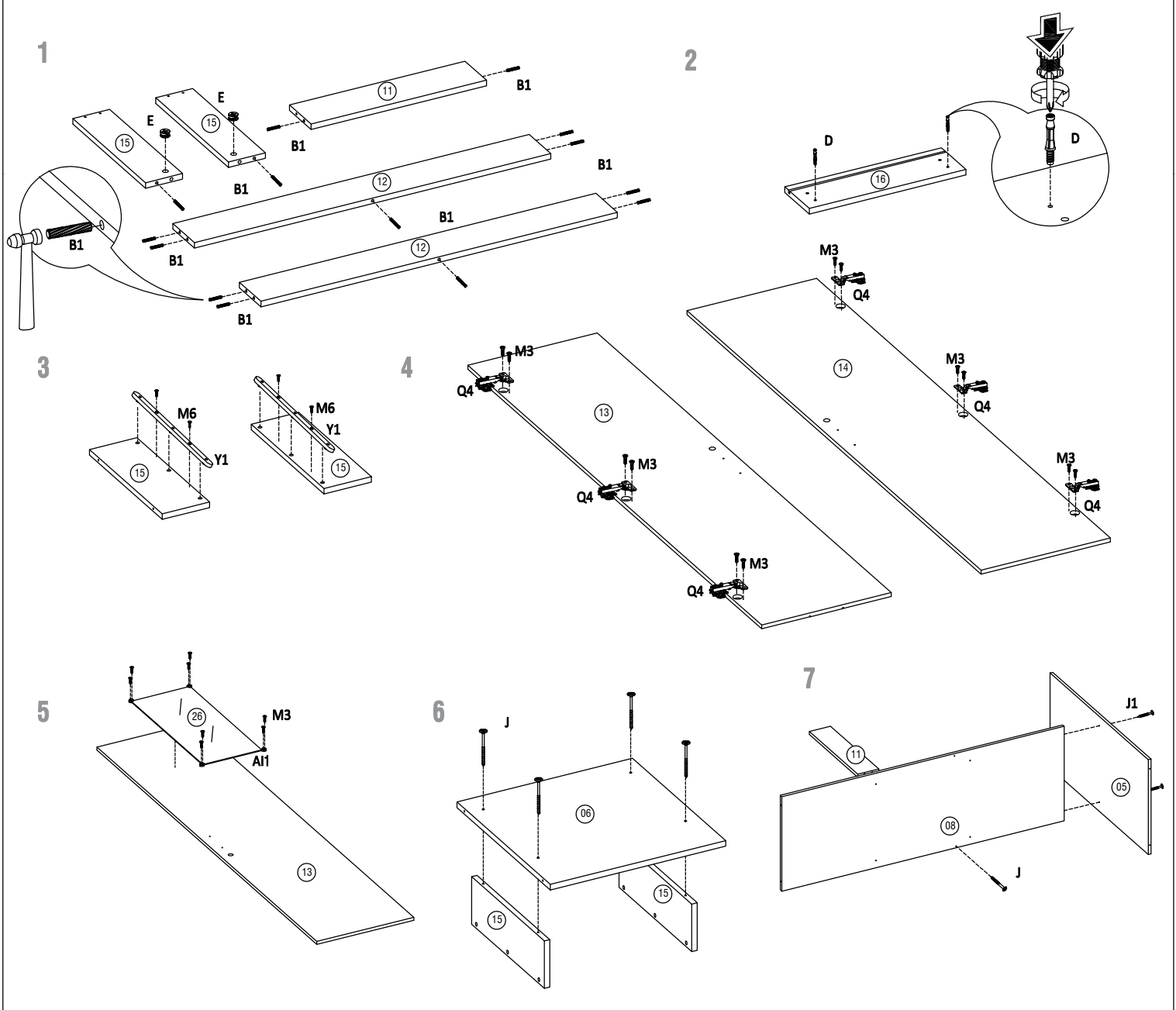
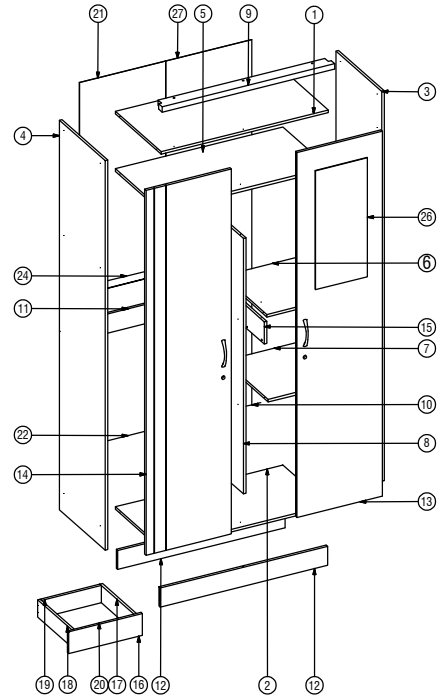
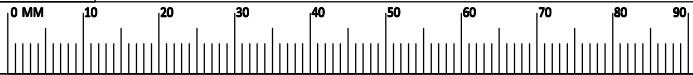
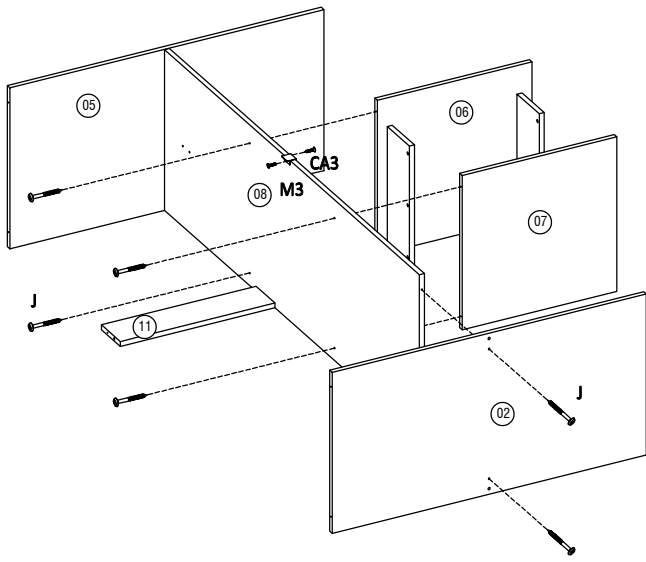


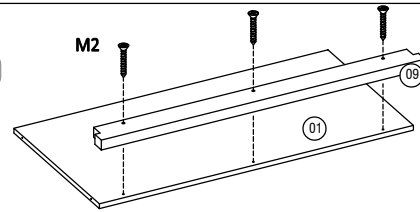
E Ø12 MM X 10 MM 2X	D Ø6 MM X 30 MM 2X	B1 Ø10 MM X 44 MM 14X	J Ø6 MM X 38 MM 30X	L Ø6 MM X 25 MM 4X	M2 3X
F 13 MM 3g	F1 19 MM 11g	Q4 INSET 6X	U Ø16 MM 2X	Y1 300 MM 1 SET	W31 2X
BB 12 MM 2 SET	BB6 12 MM 2X	CA3 SAYAP BLACK 12 MM 1X	M3 Ø6 MM X 13 MM 42X	M6 Ø6 MM X 16 MM 18X	AI1 BLACK 4X
AG 2X					



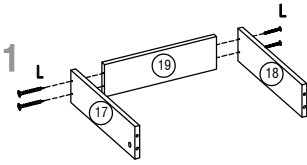
8



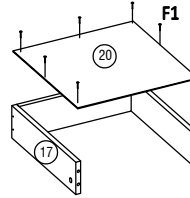
9



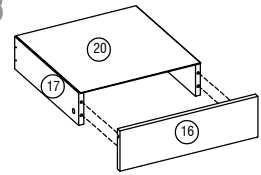
11



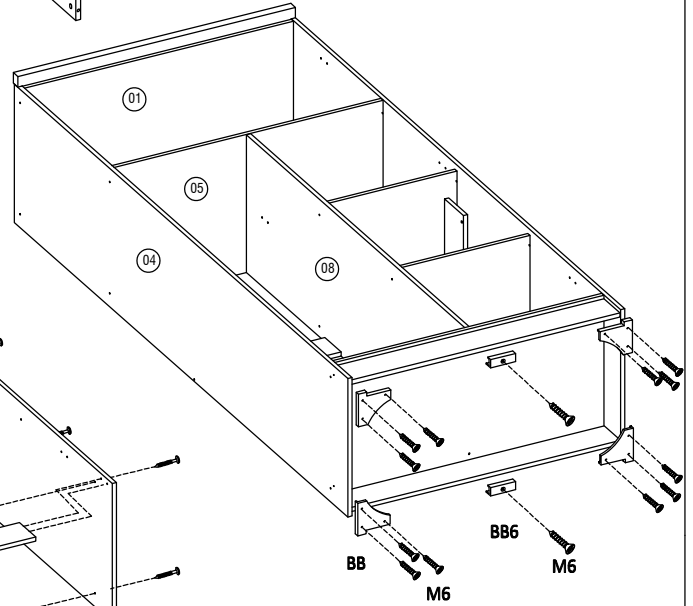
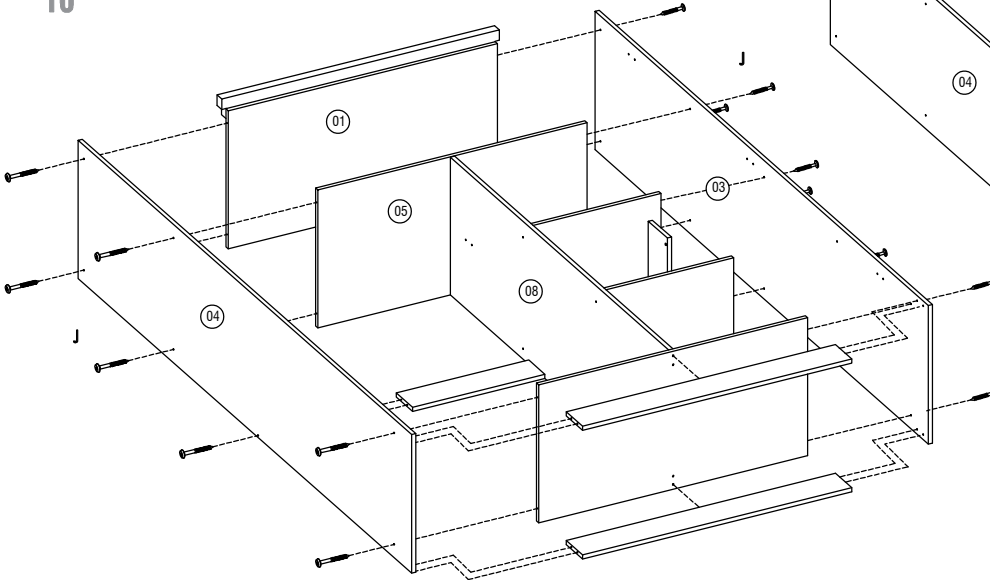
12



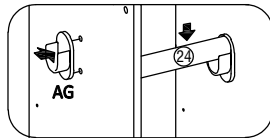
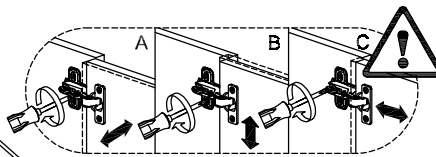
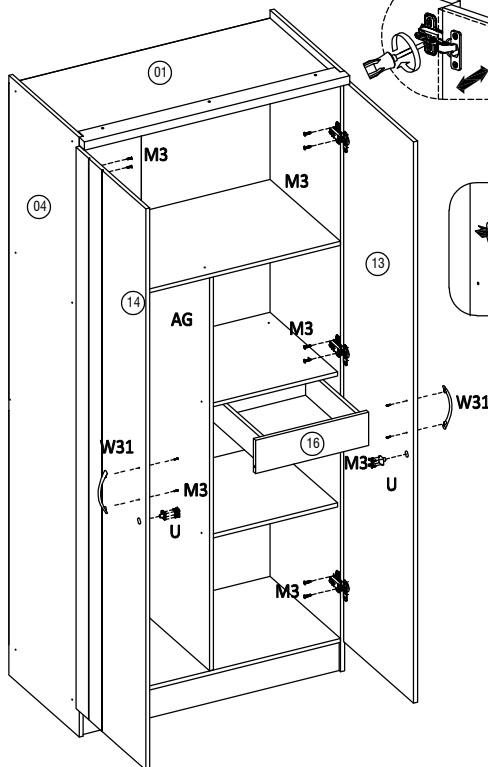
13



10



14



15

