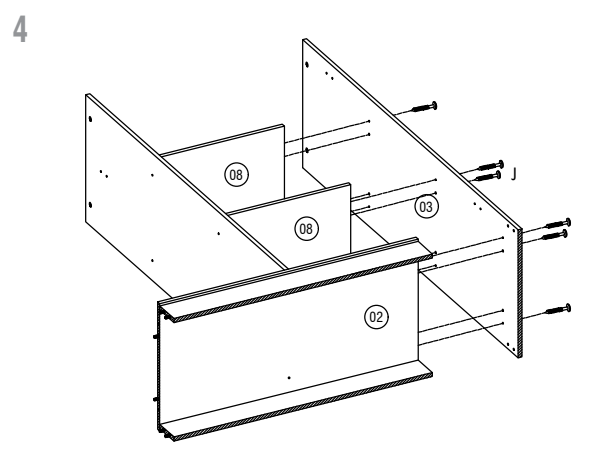
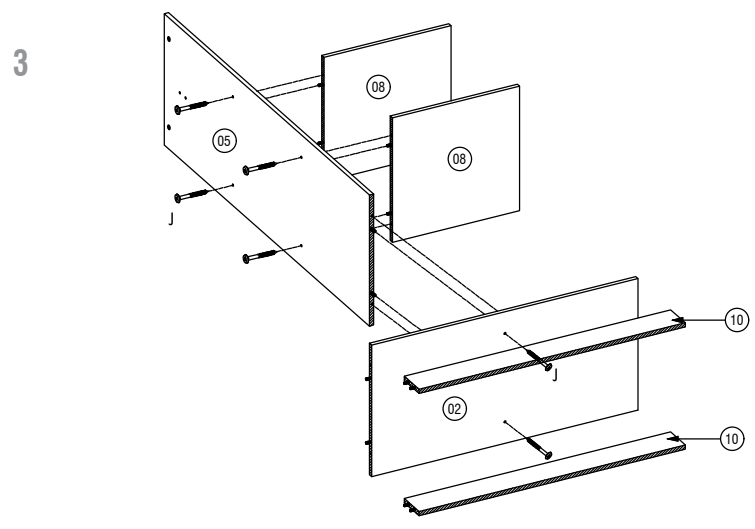
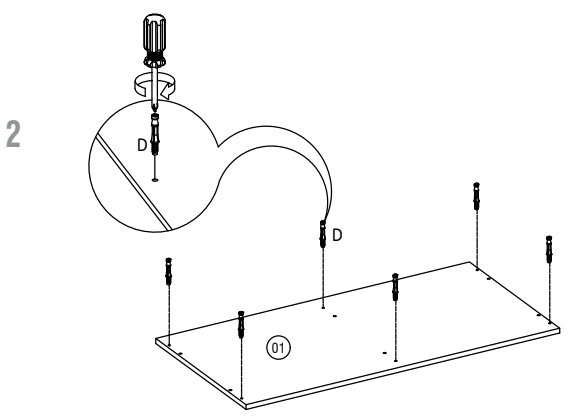
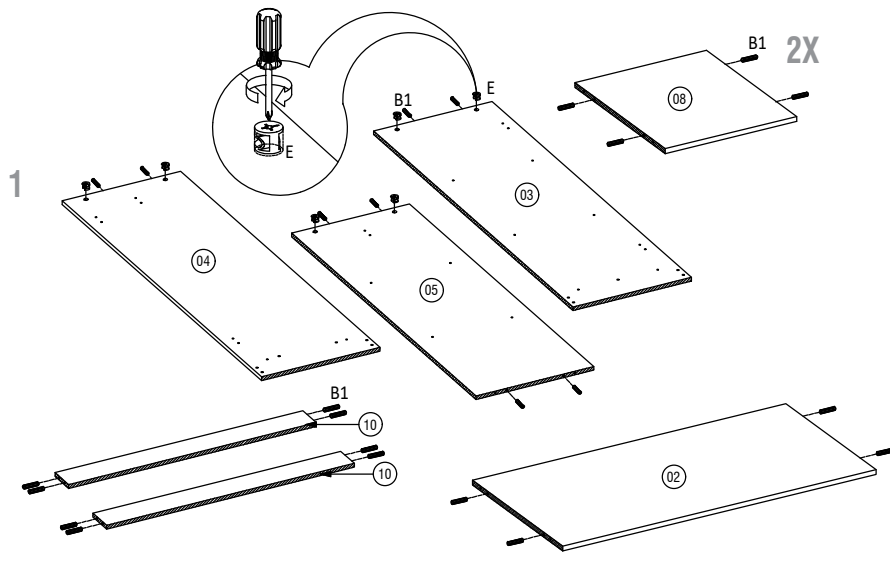
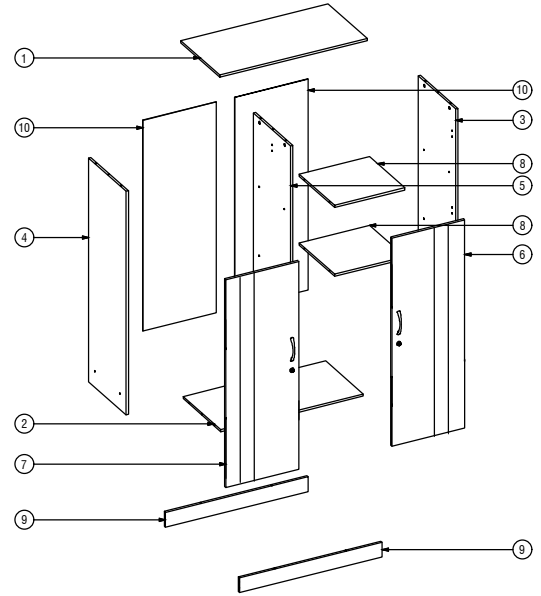
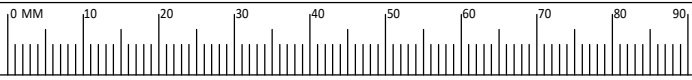
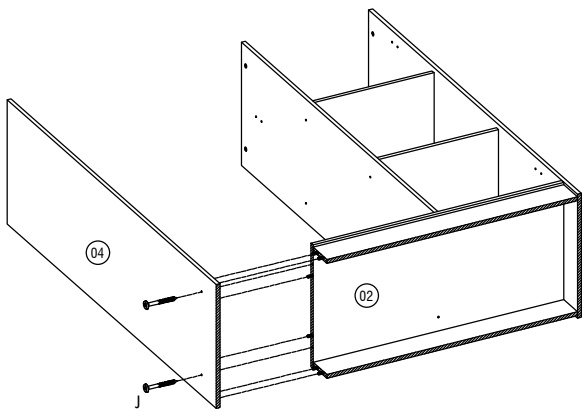


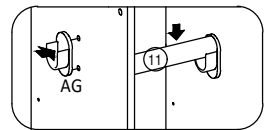
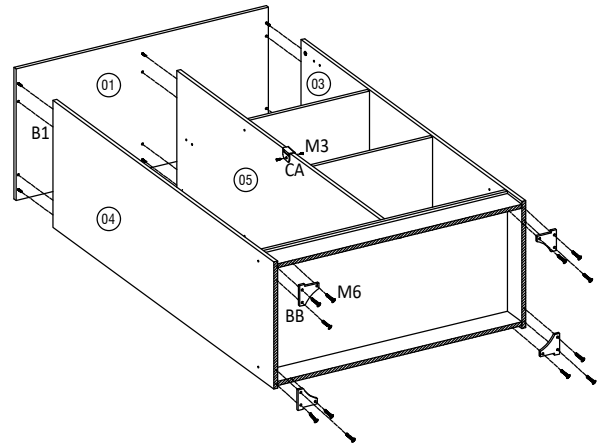
<b>B1</b> Ø6 MM X 30 MM 28 X	<b>J</b> Ø10 MM X 44 MM 14 X	<b>D</b> 6 X	<b>E</b> Ø12 MM X 10 MM 6 X	<b>U</b> Ø16 MM 2 X	<b>F1</b> 19 MM 12 g
<b>M6</b> Ø6 MM X 16 MM 12 X	<b>M3</b> Ø6 MM X 13 MM 26 X	<b>W31</b> 2 X	<b>Q4</b> INSET 4 X	<b>AG</b> SAVAP BLACK 12MM 2 X	<b>CA</b> 1 X
<b>BB</b> 12 MM 2 X					



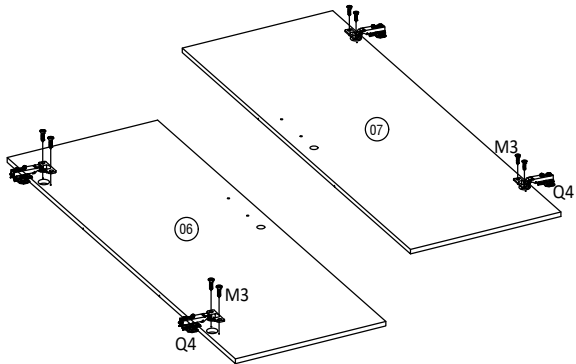
5



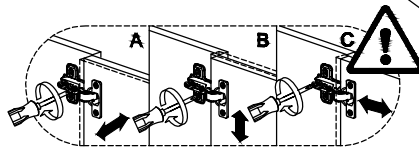
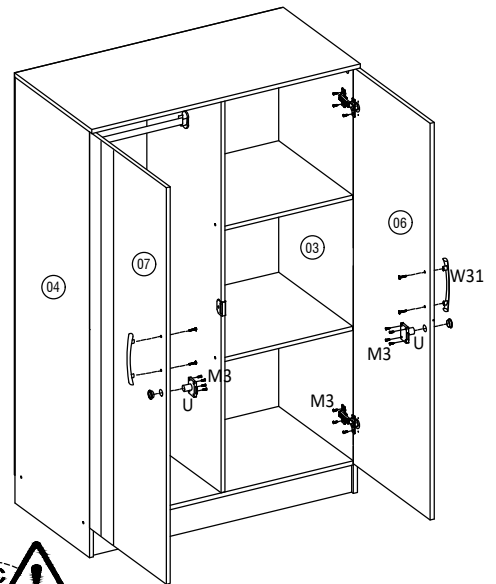
6



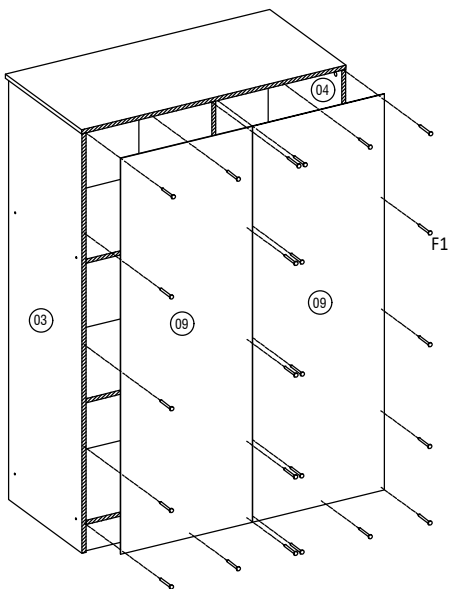
7



8



9



10

