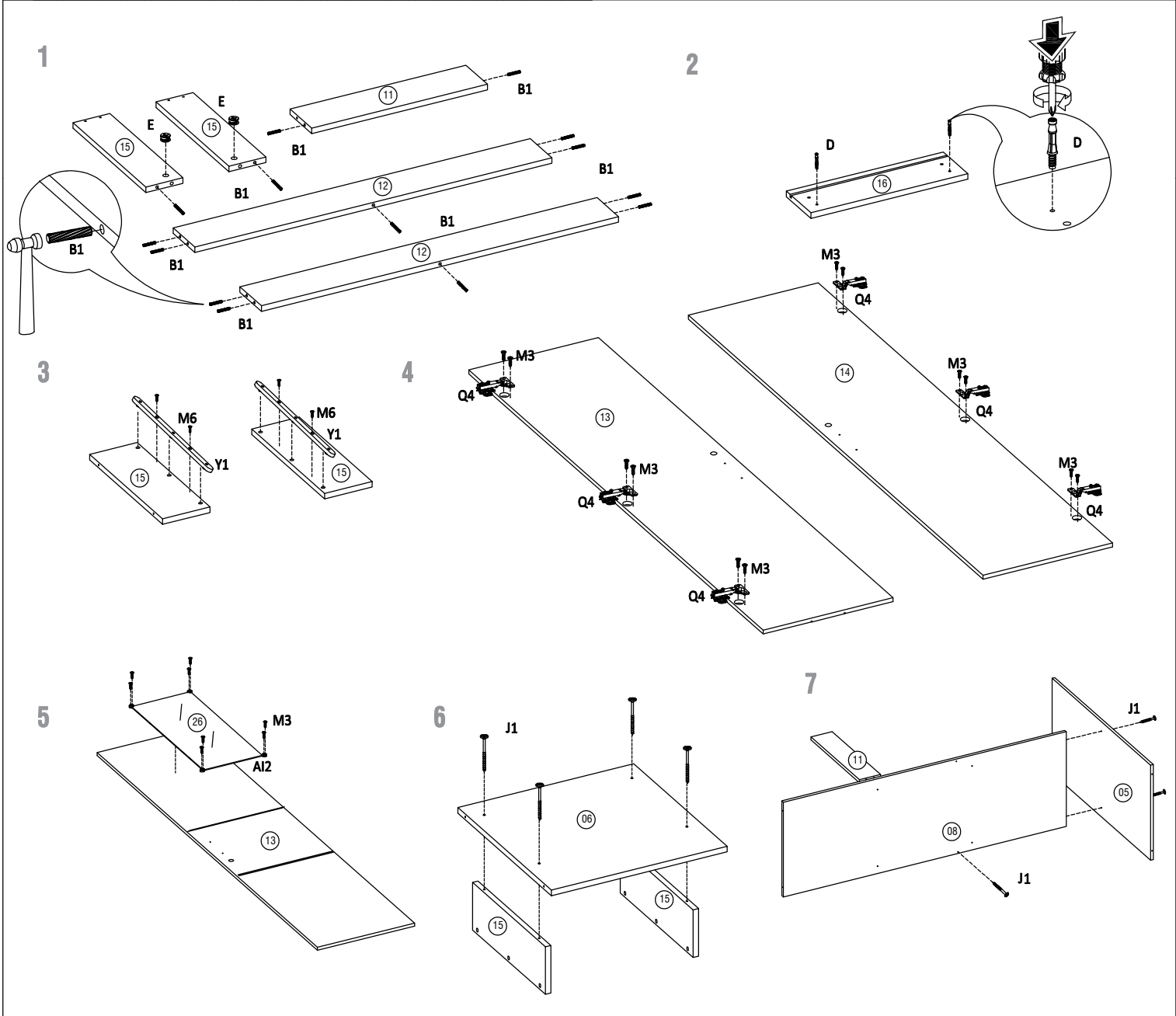
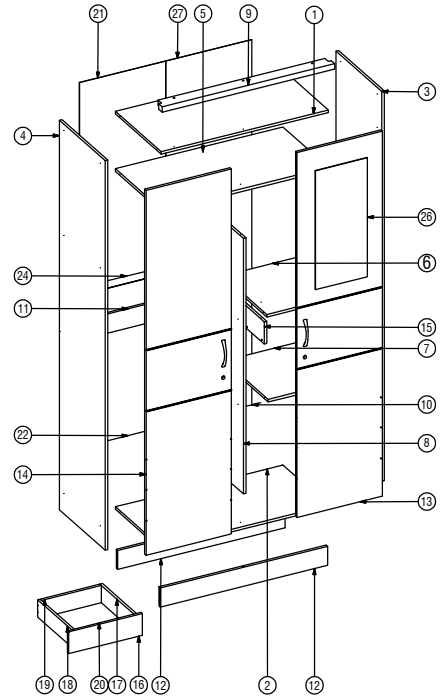
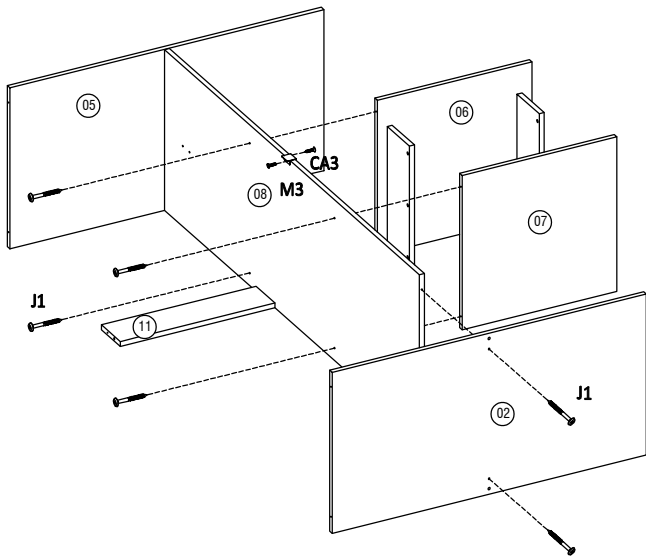


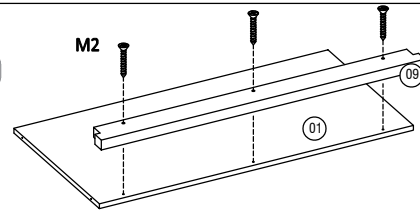
E Ø12 MM X 10 MM 2 X	D Ø6 MM X 30 MM 2 X	B1 Ø10 MM X 44 MM 14 X	J1 Ø6 MM X 38 MM 30 X	L Ø6 MM X 25 MM 4 X	M2 3 X
F 13 MM 3 g	F1 19 MM 11 g	Q4 INSET Ø16 MM 6 X	U 300 MM 2 X	Y1 1 SET	W31 2 X
BB 12 MM 2 SET	BB6 12 MM 2 X	CA3 SAYAP BLACK 12 MM 1 X	M3 Ø6 MM X 13 MM 42 X	M6 Ø6 MM X 16 MM 18 X	AI2 WHITE 4 X
AG 2 X					



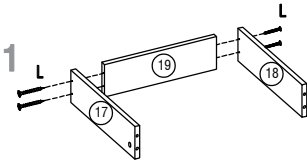
8



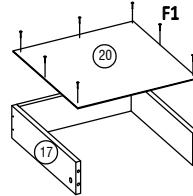
9



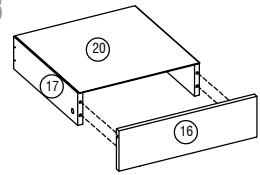
11



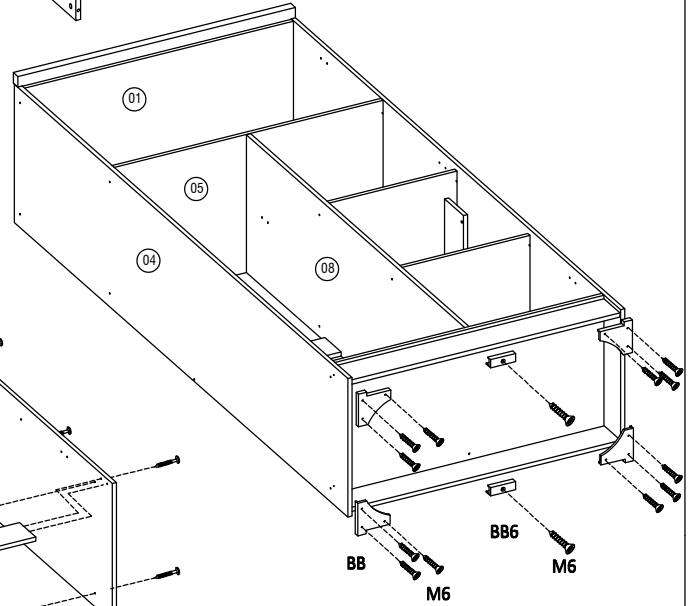
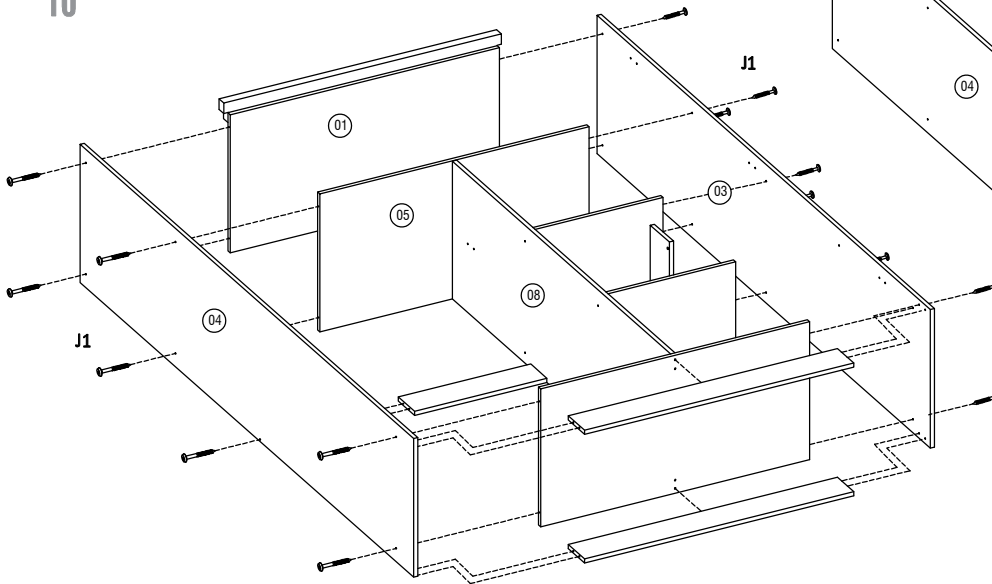
12



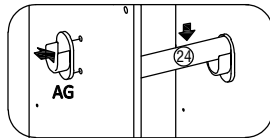
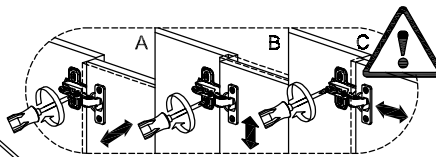
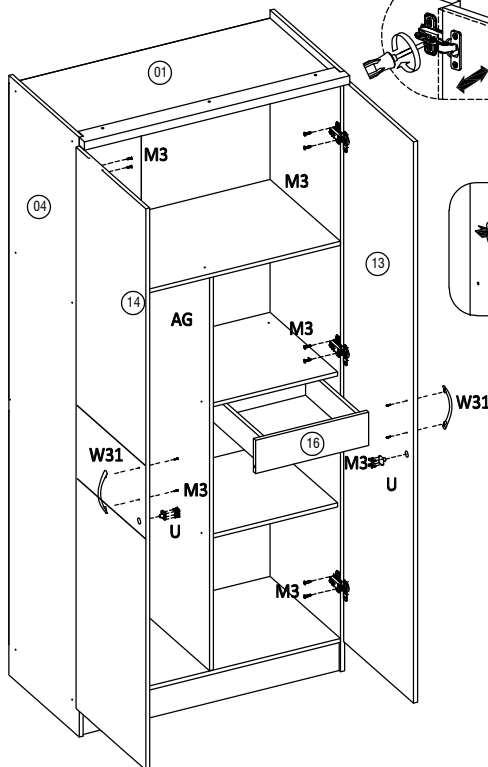
13



10



14



15

