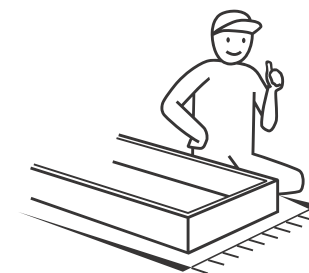
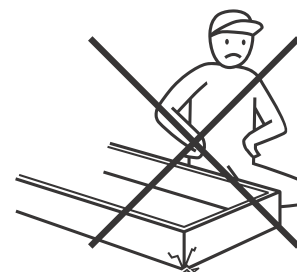
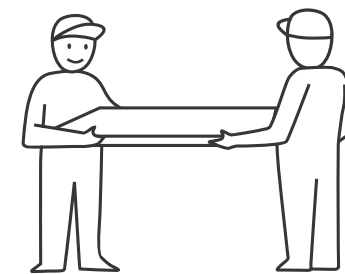
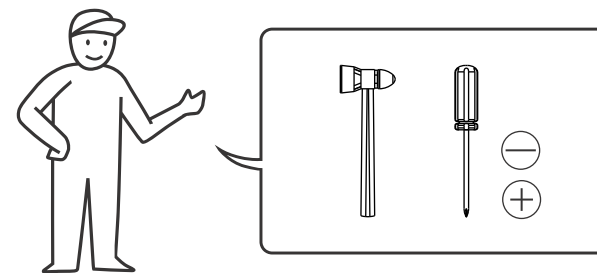



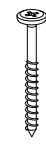




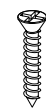
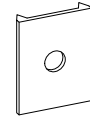
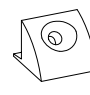

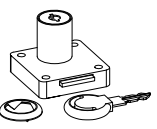
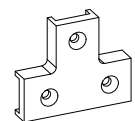
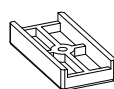
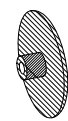
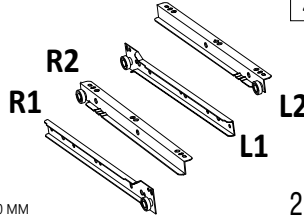



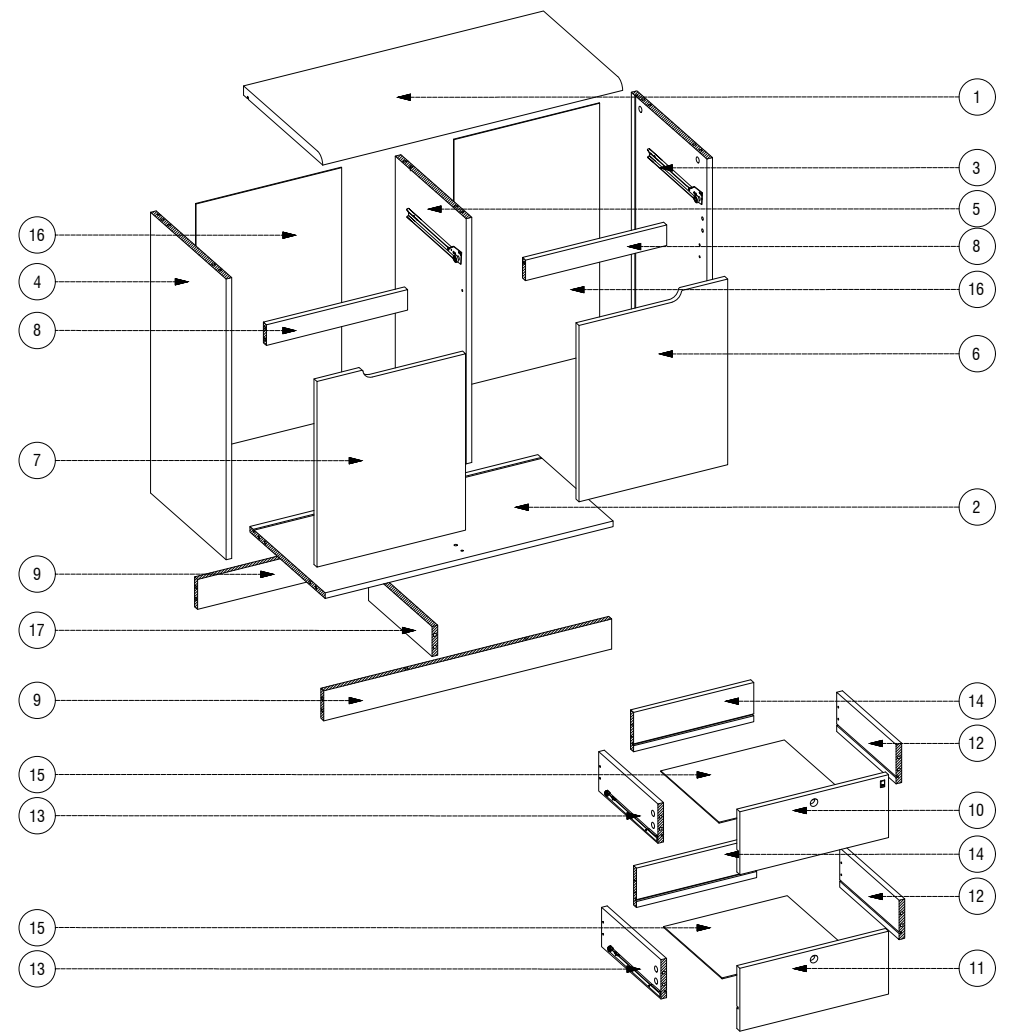
# ASSEMBLING INSTRUCTION

**DEXTER CABINET 80**

GRAPHITE - AMERICAN WALNUT

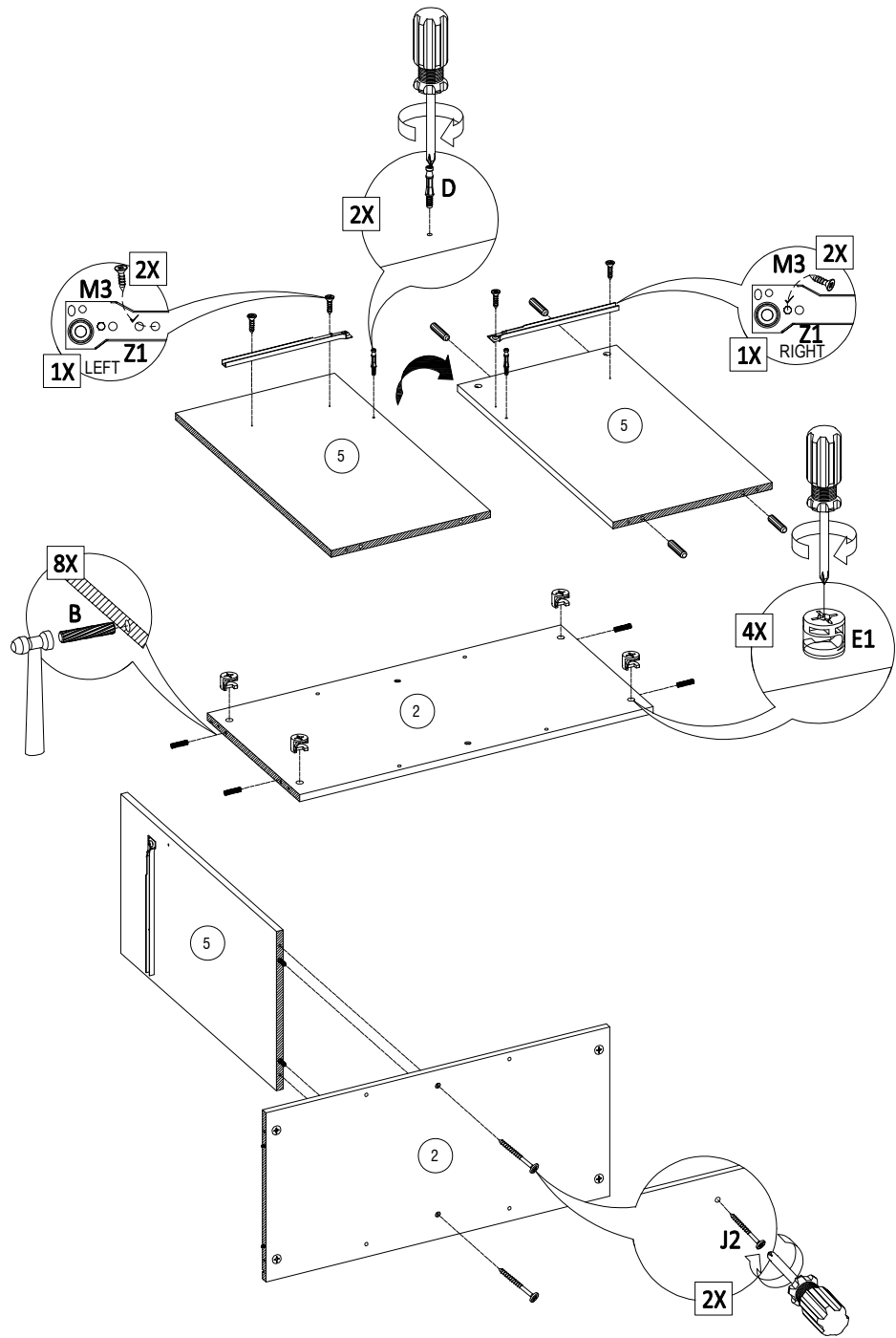


 Ø 15 MM X 12 MM <b>20 X</b>	 Ø 6 MM X 32 MM <b>20 X</b>	 Ø 8 MM X 30 MM <b>32 X</b>	 Ø 12 MM X 1 3/4 " <b>2 X</b>	 Ø 6 MM X 1 1/2 " <b>8 X</b>	 Ø 6 MM X 1/2 " <b>32 X</b>
 Ø 6 MM X 5/8 " <b>18 X</b>	 Ø 4 MM X 1/2 " <b>1 X</b>	 Ø 4 MM X 5/8 " <b>8 X</b>	 <b>1 X</b>	 INSET <b>8 X</b>	 <b>4 X</b>
 Ø 19 MM <b>2 X</b>	 15 MM <b>2 X</b>	 15 MM <b>4 X</b>	 BLACK <b>8 X</b>	 R2 R1 L2 L1 300 MM <b>2 X</b>	
 OGGI <b>1 X</b>					



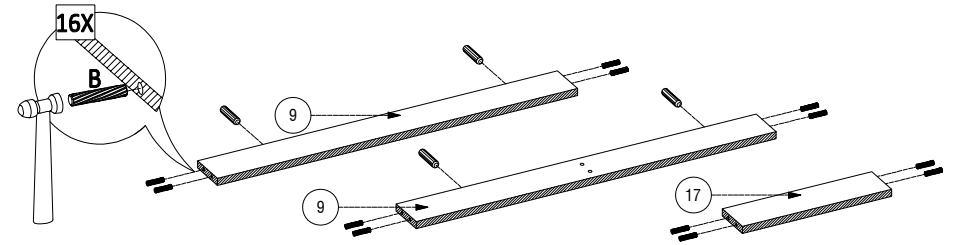
 X 1  ±55 M

1

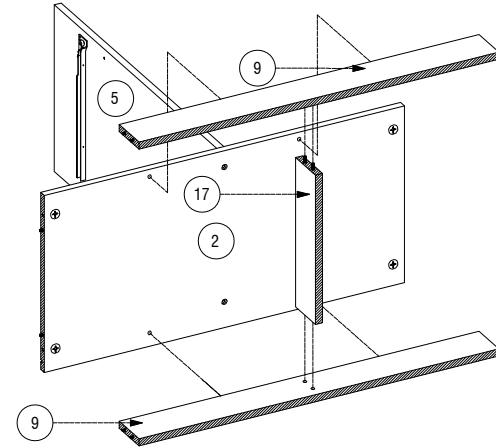


2

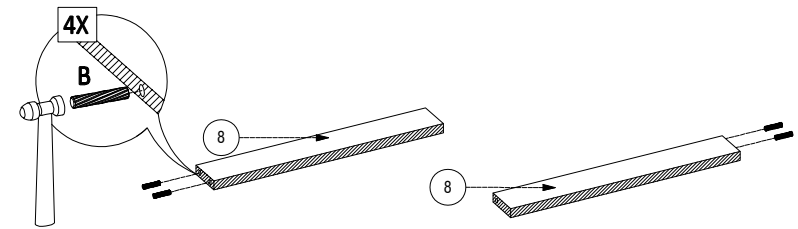
3



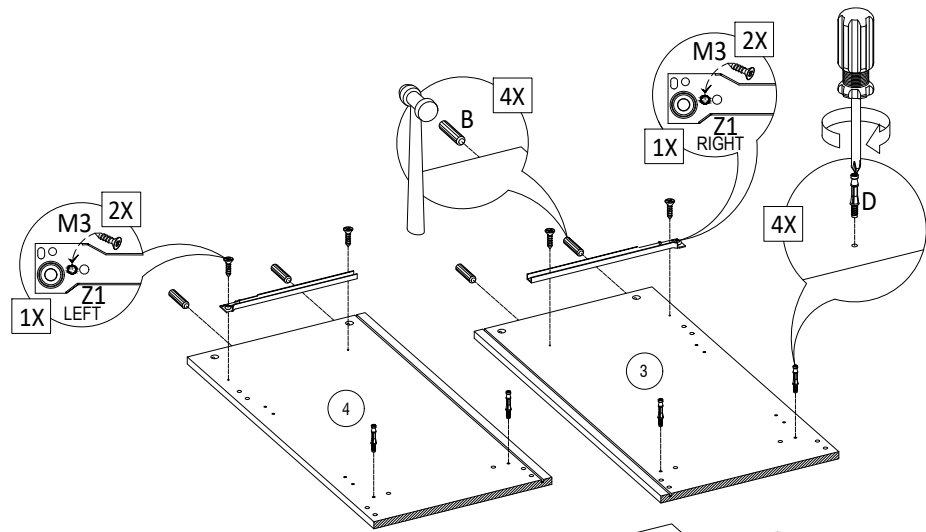
4



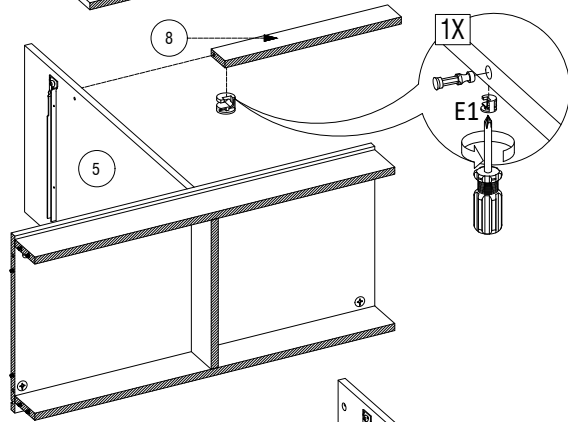
5



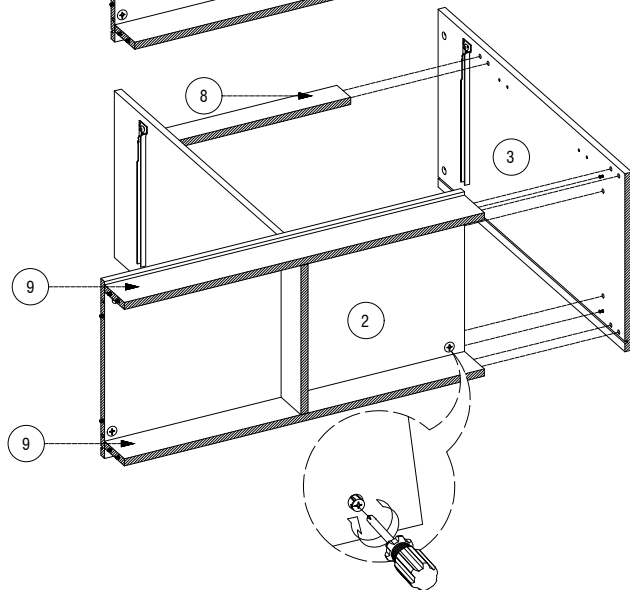
6



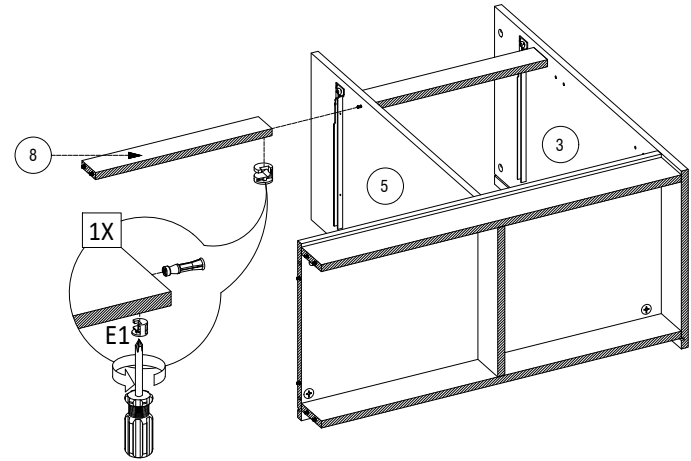
7



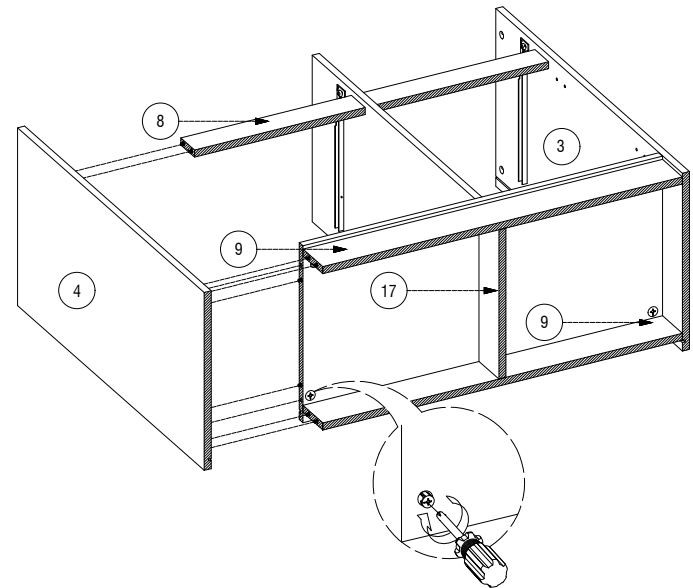
8



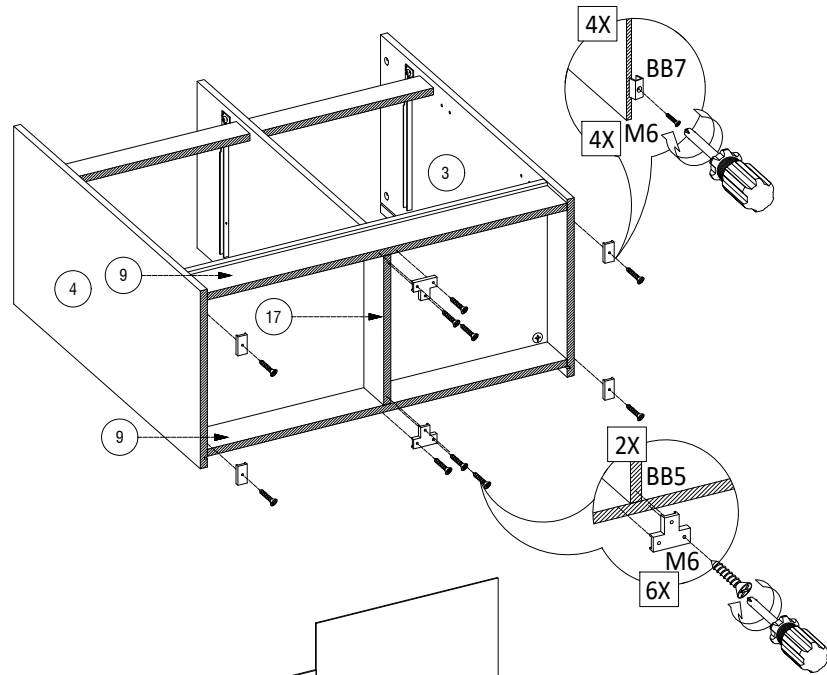
9



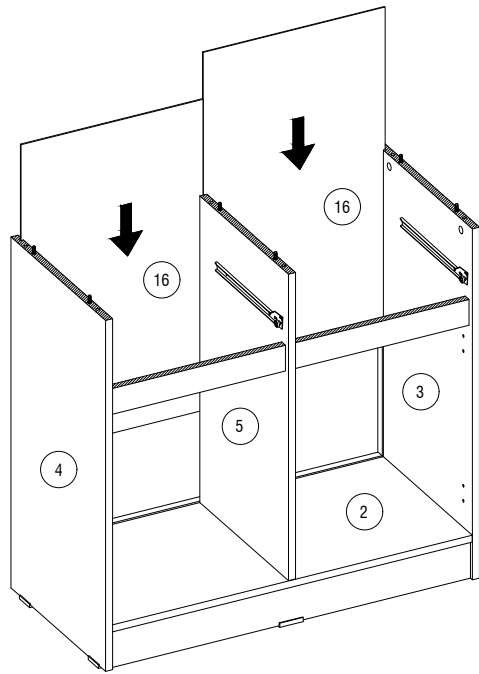
10



11

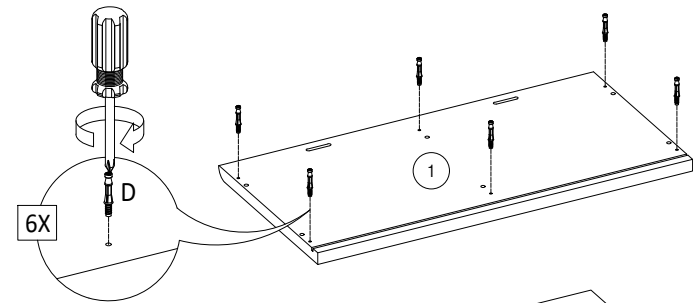


12

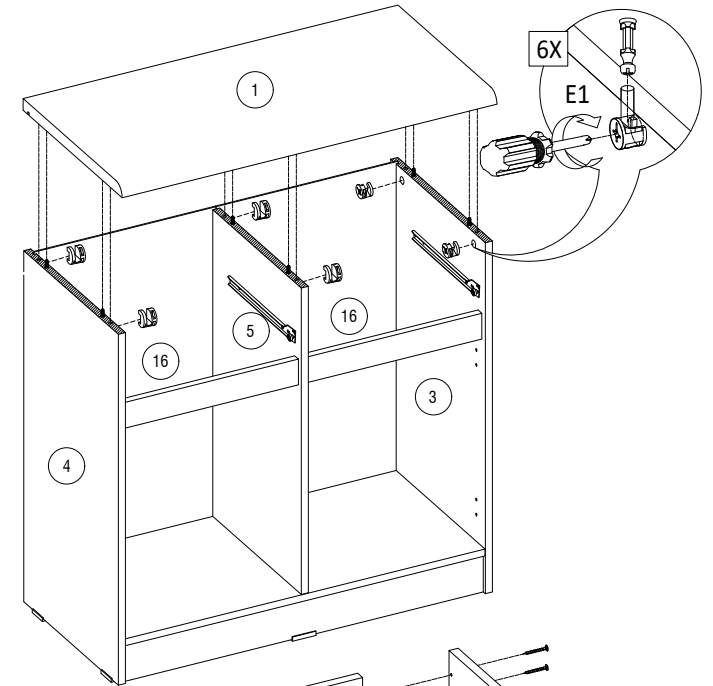


09

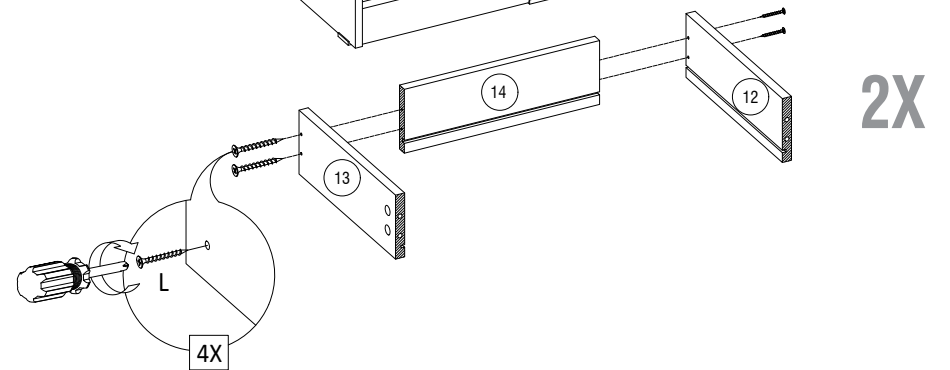
13



14

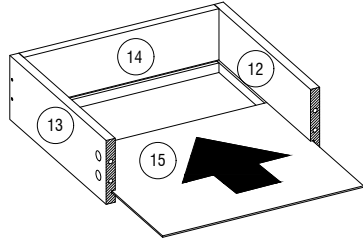


15



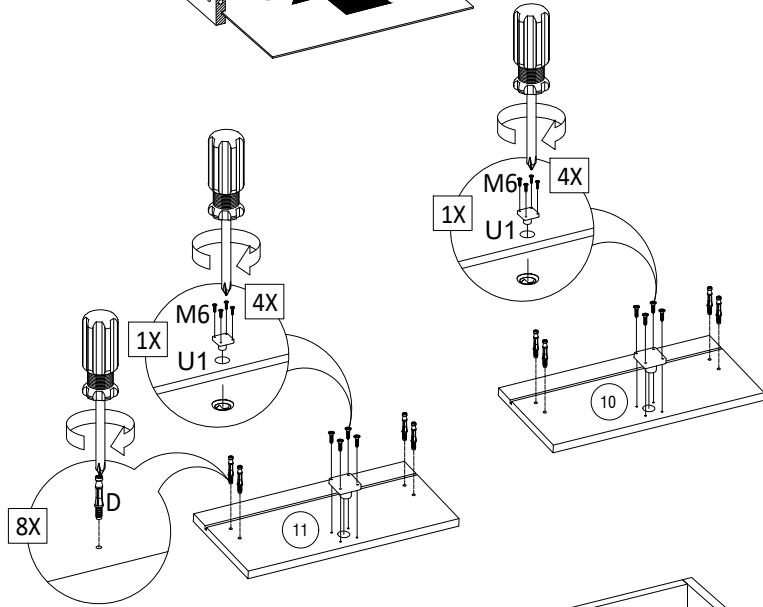
10

16

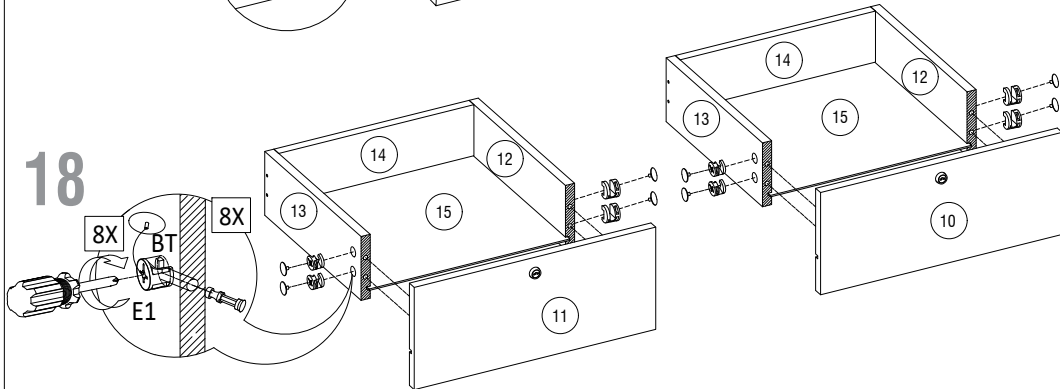


2X

17

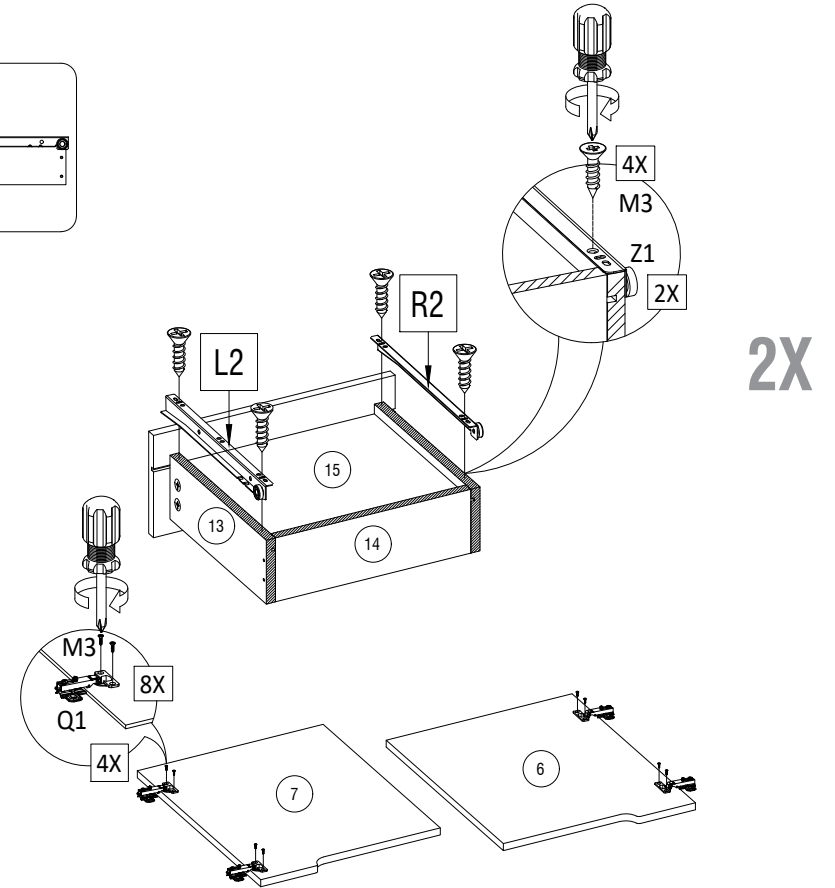
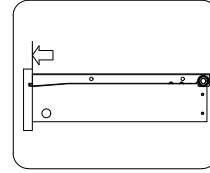


18



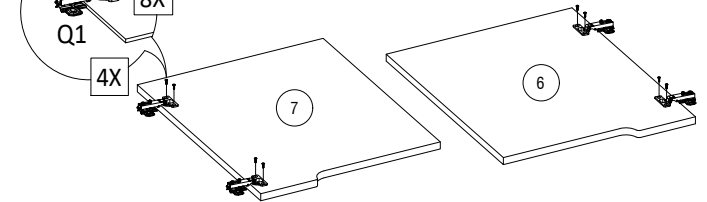
11

19

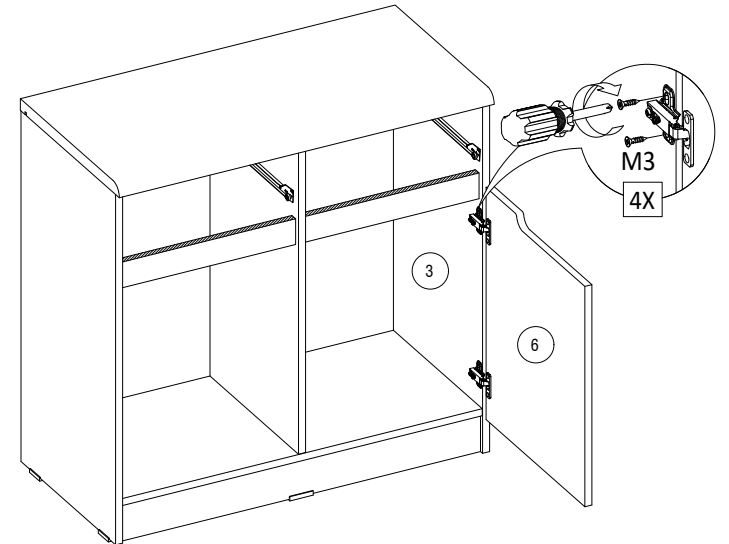


2X

20

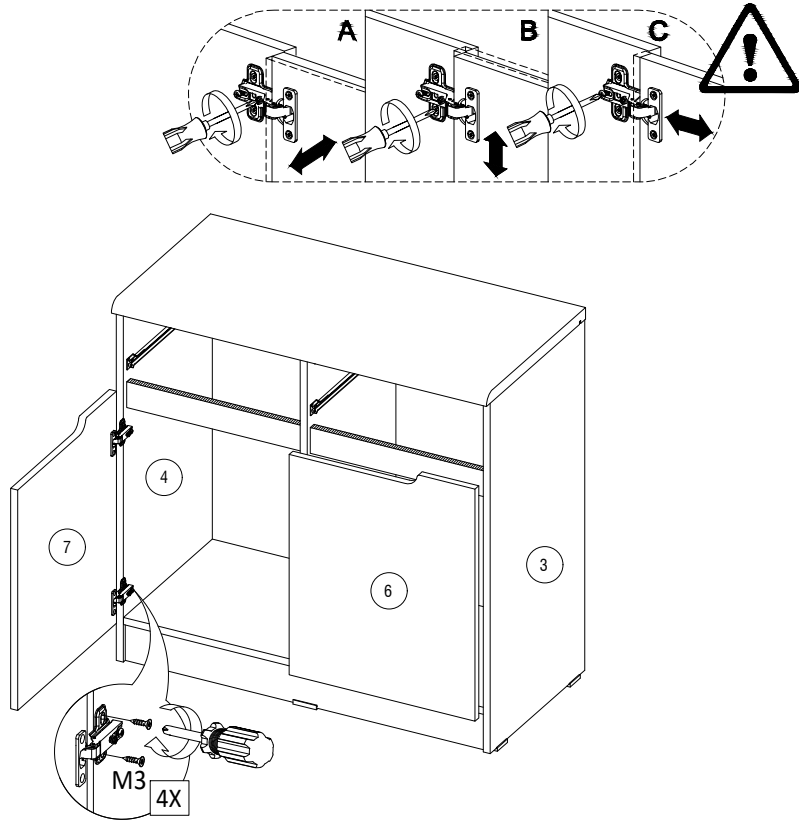


21

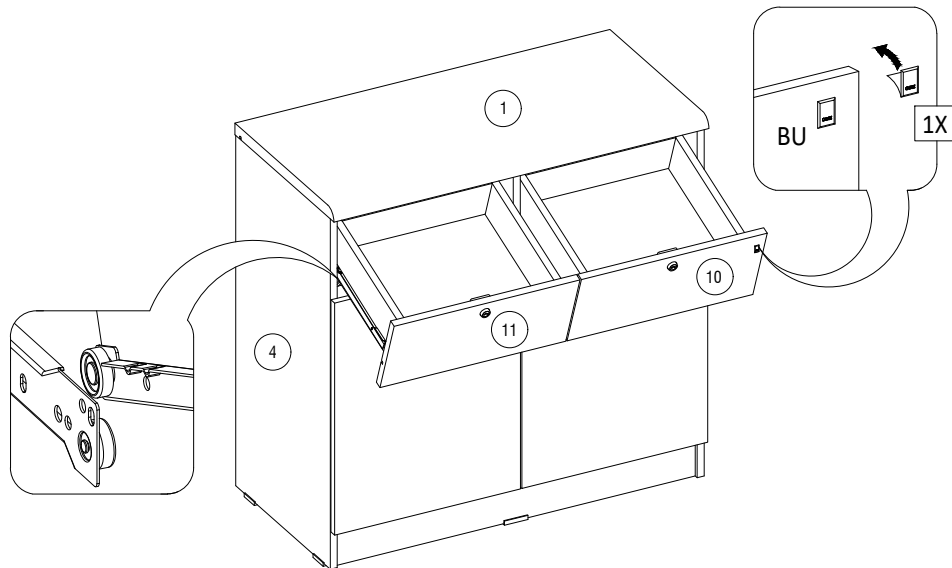


12

22

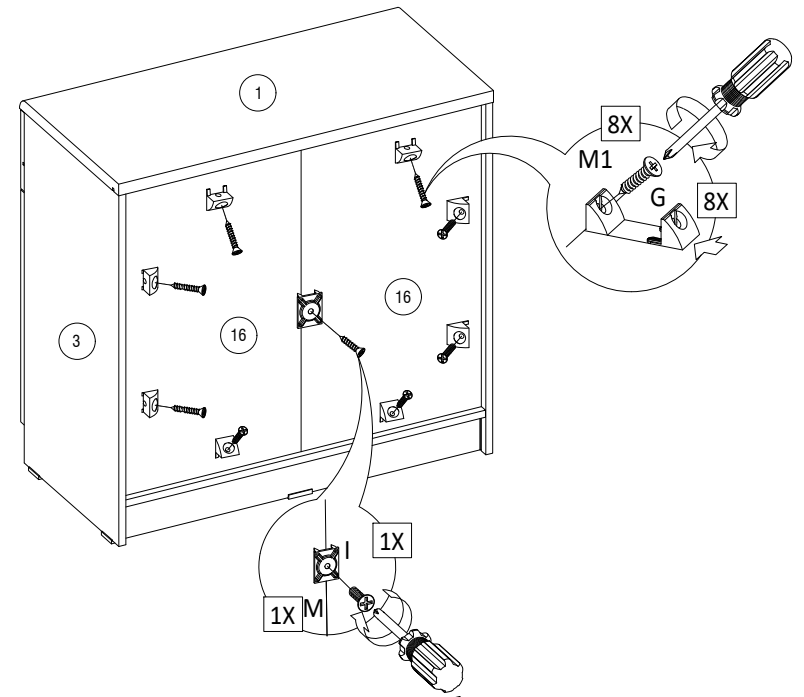


23

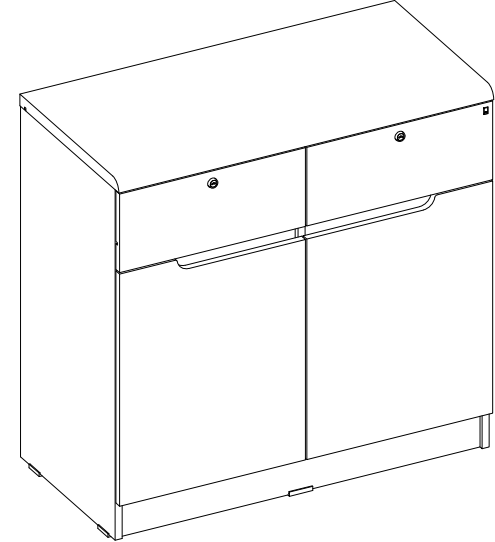


13

24



25



14