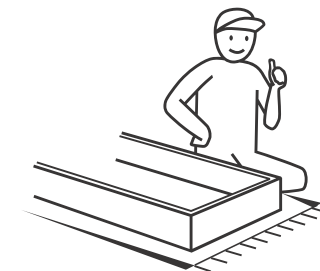
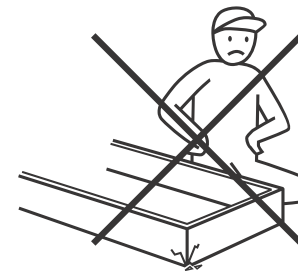
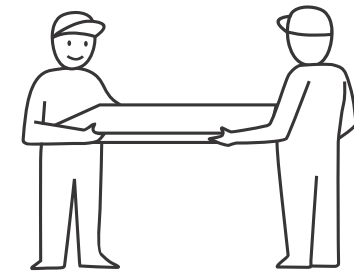
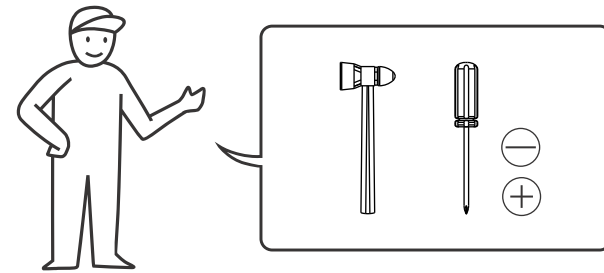




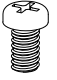
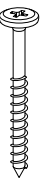
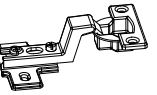


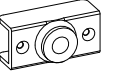



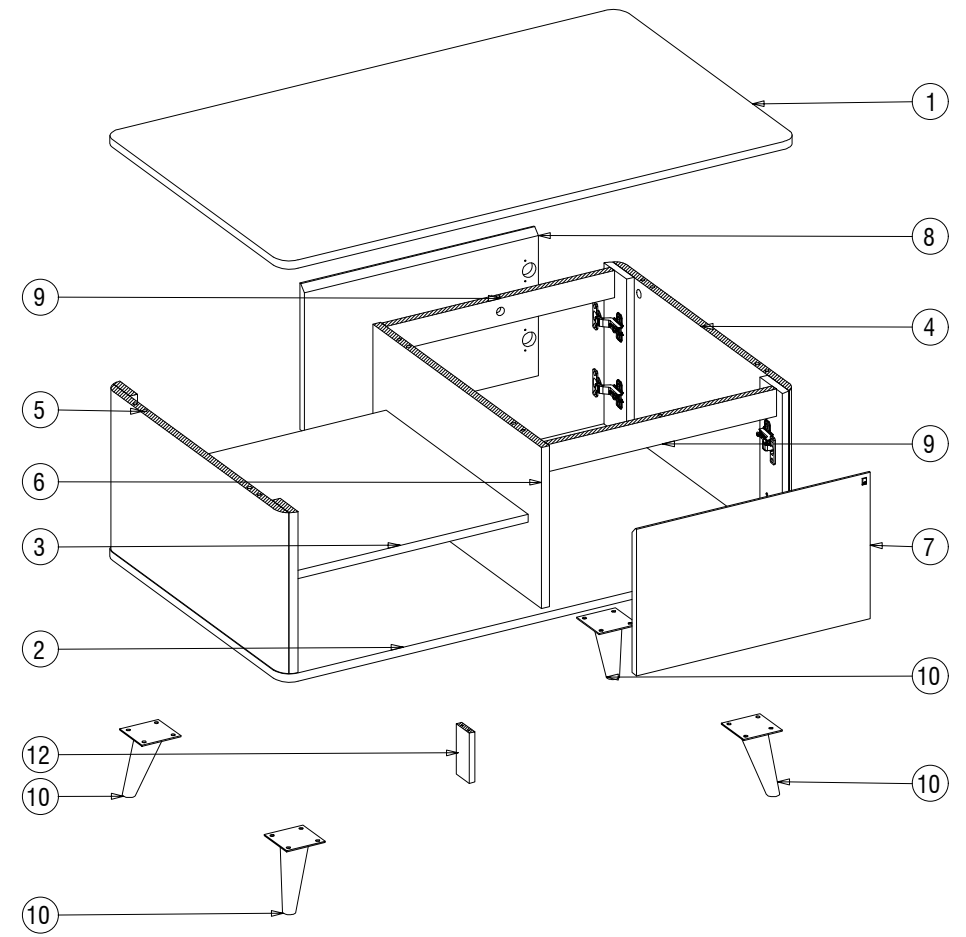
# ASSEMBLING INSTRUCTION



## BERLIN COFFEE TABLE 100

RS0

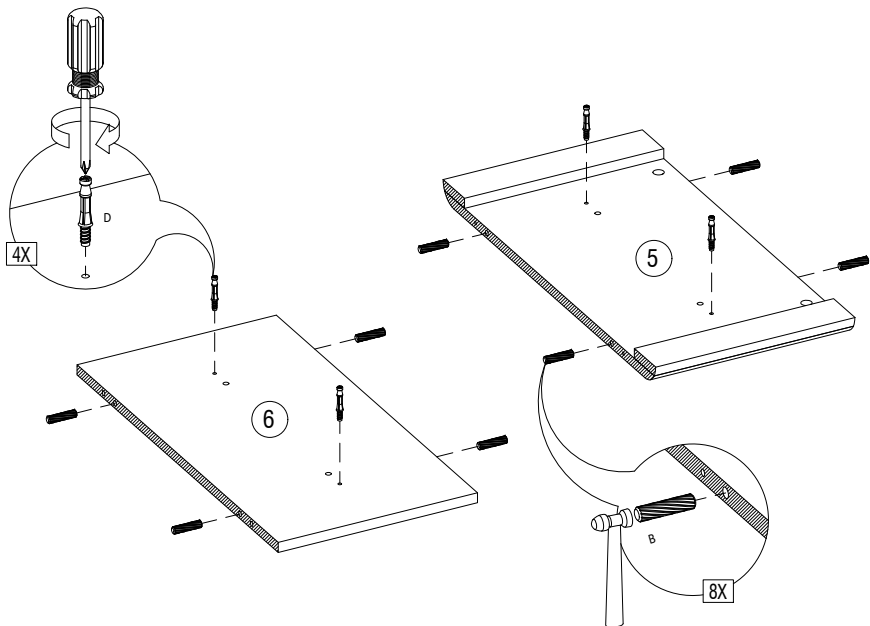


 <b>D</b> 12 X	 <b>E1</b> 12 X	 <b>BT</b> 2 X	 <b>B</b> 20 X	 <b>A6</b> 16 X	 <b>J2</b> 8 X
 <b>Q</b> FULL OVERLAY 4 X	 <b>M3</b> Ø6 MM X 1/2 * 18 X	 <b>BU</b> OGGI 1 X	 <b>AZ</b> 1 X	 <b>BA</b> 1 X	

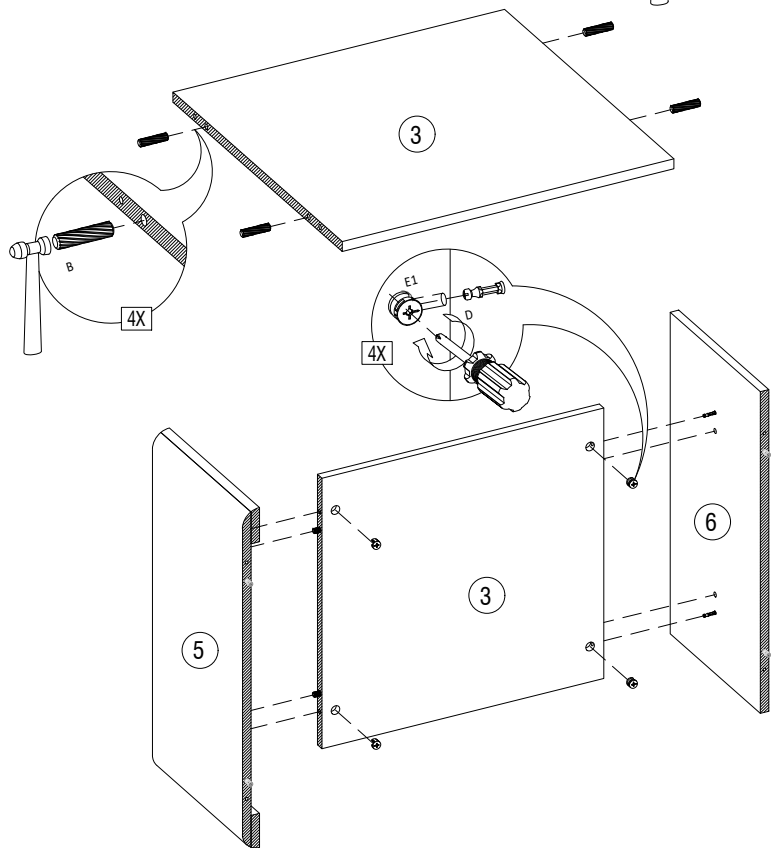


 x2 ±45 M 

1

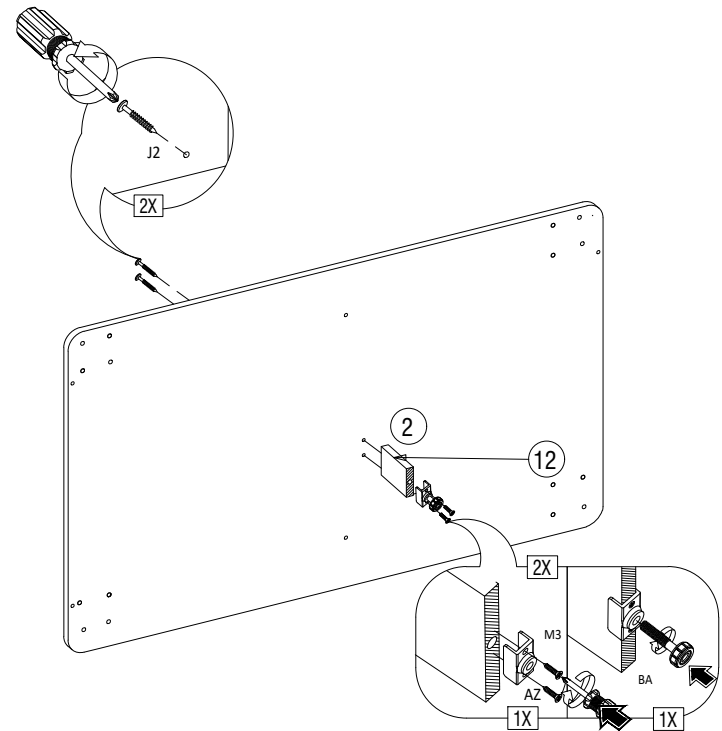


2

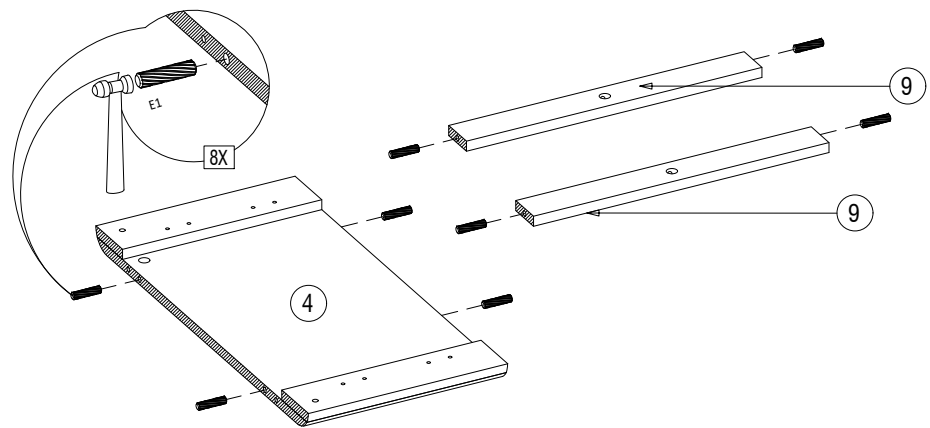


3

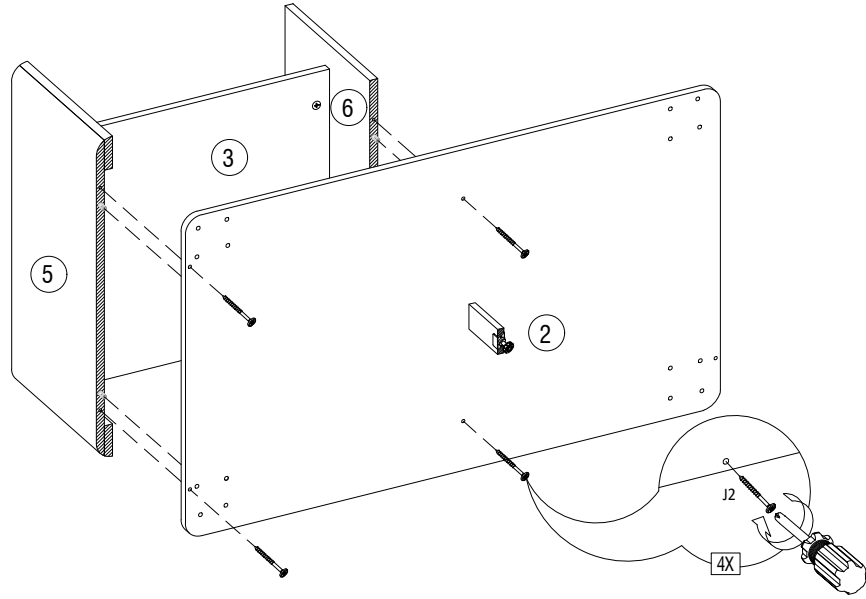
3



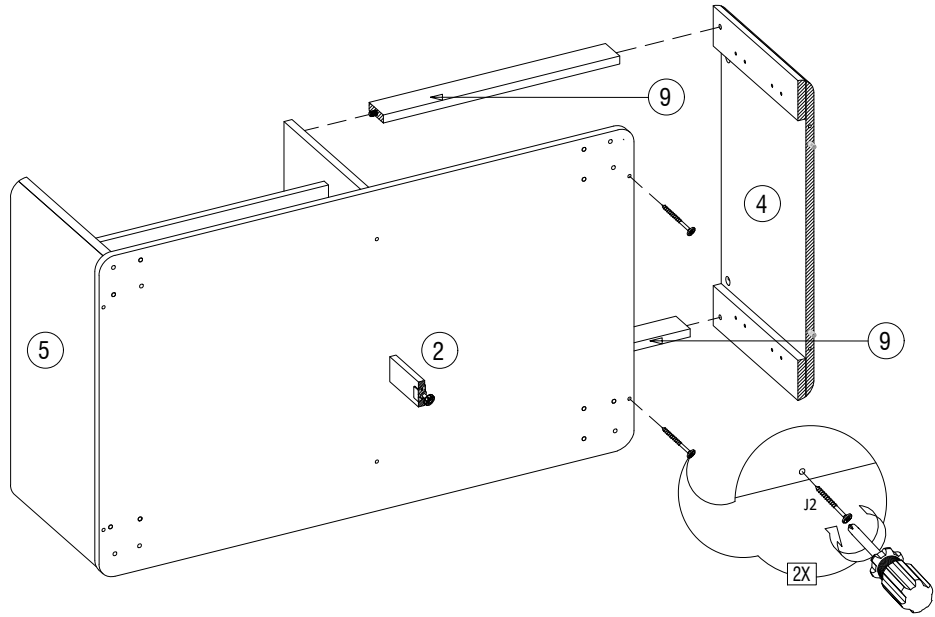
4



5

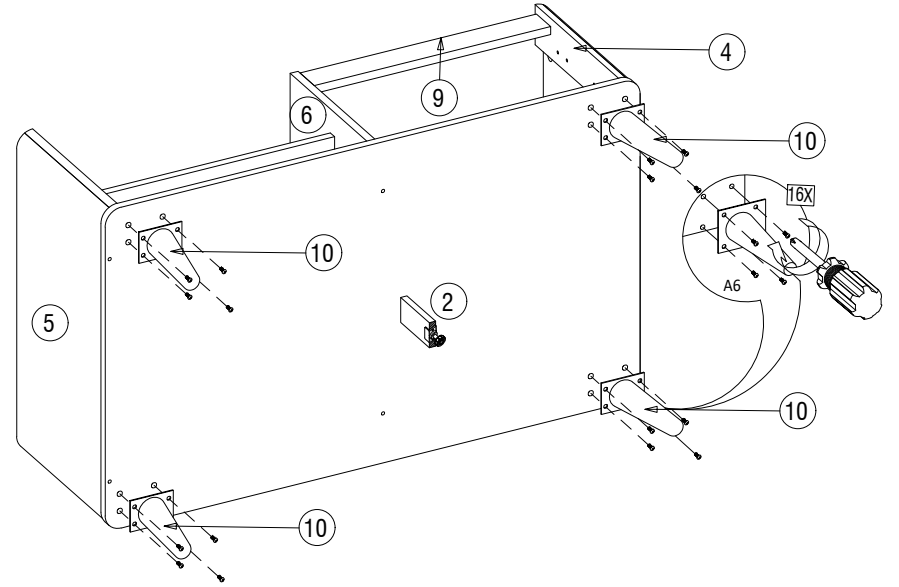


6

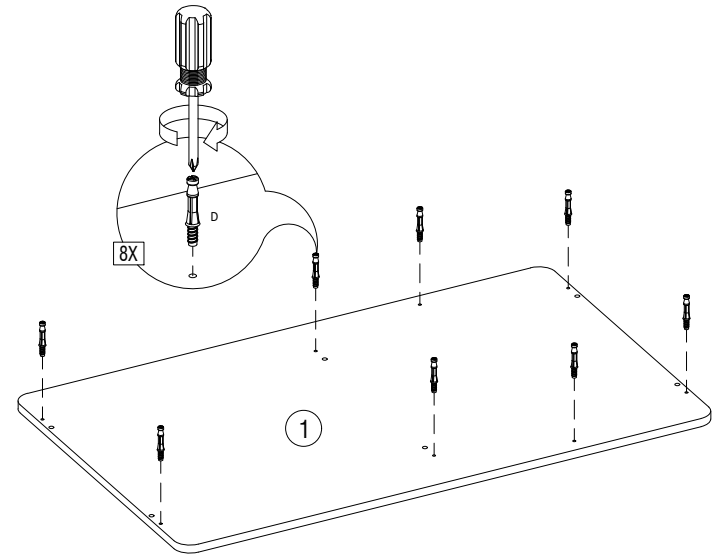


07

7

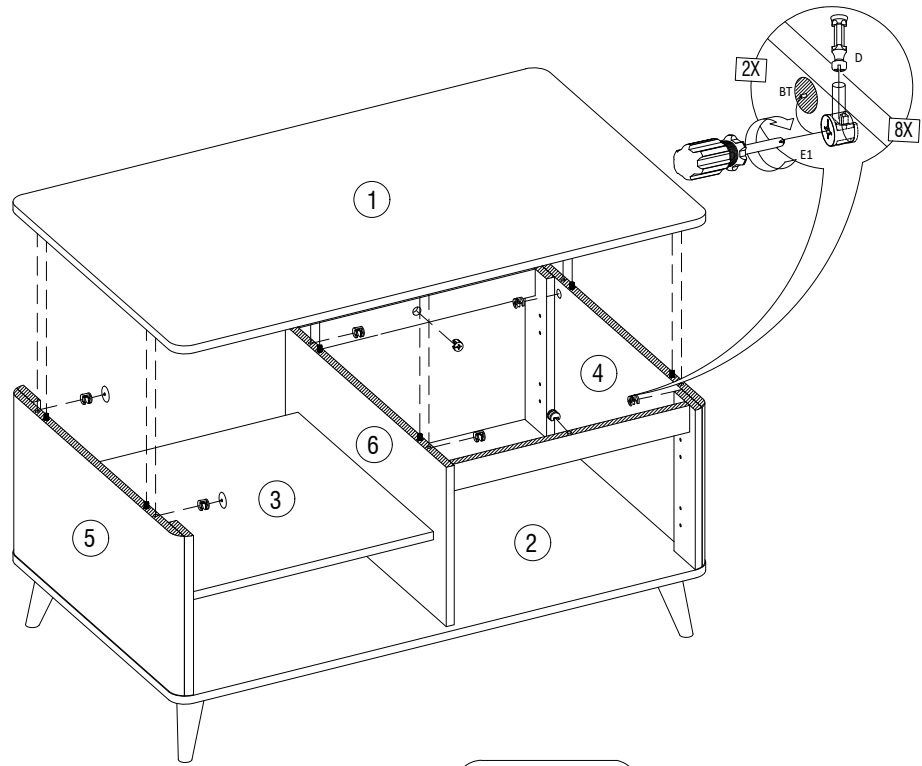


8

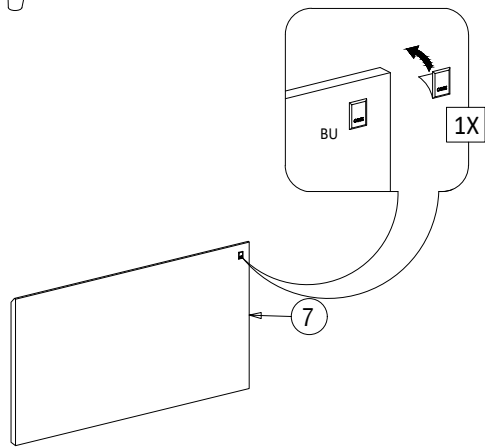


08

9

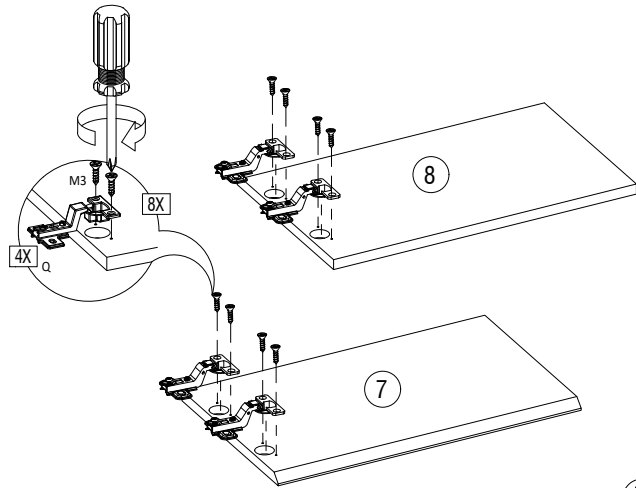
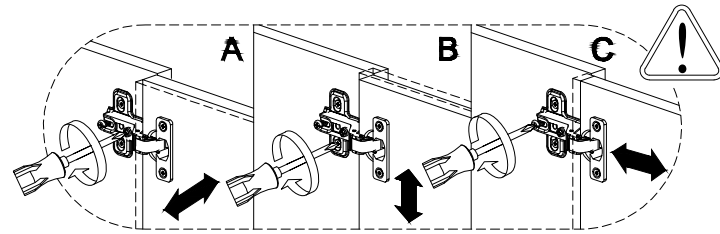


10

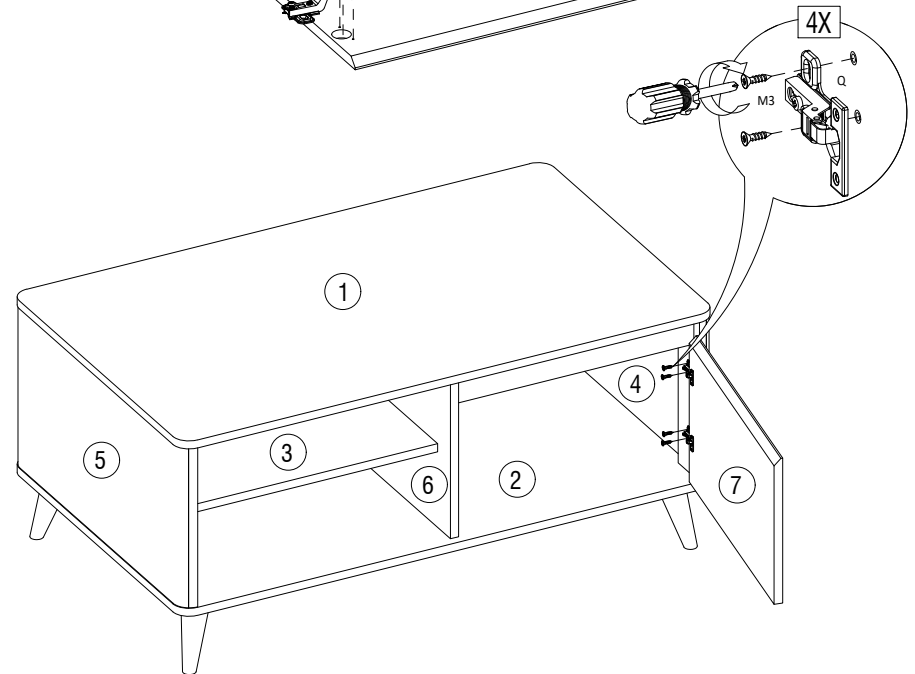


09

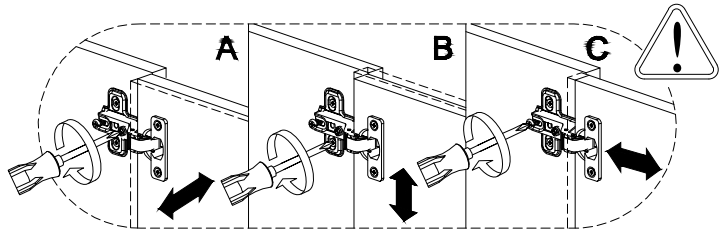
11



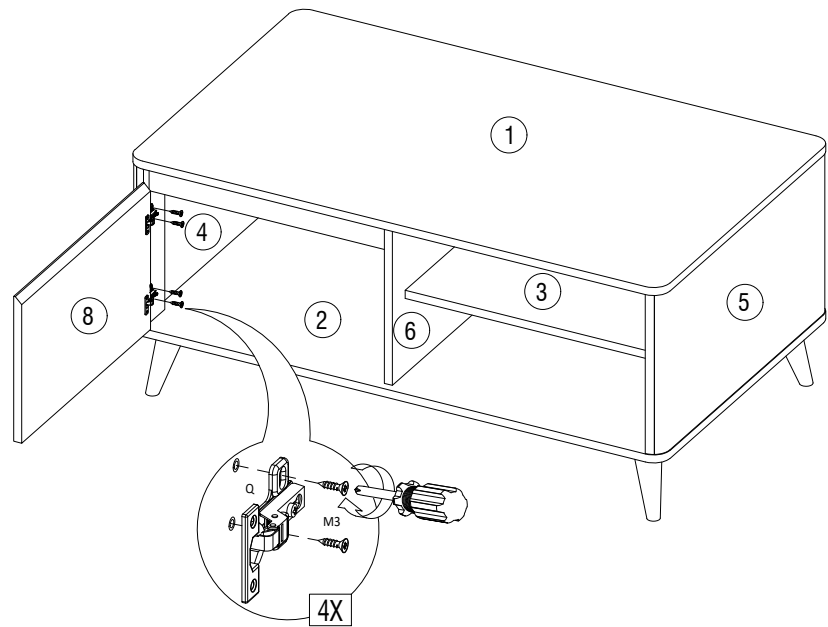
12



10



13



14

