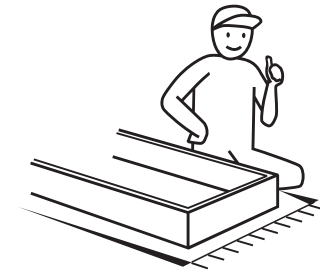
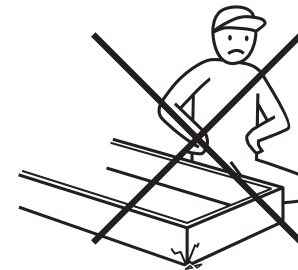
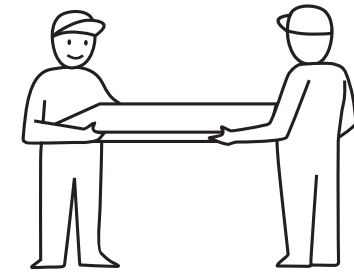
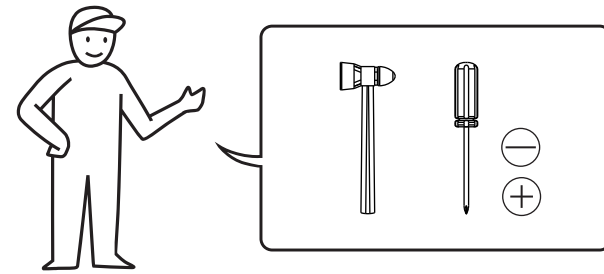












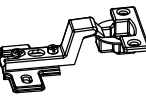
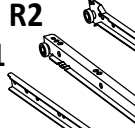
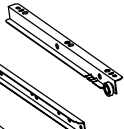
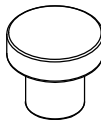
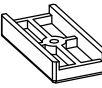



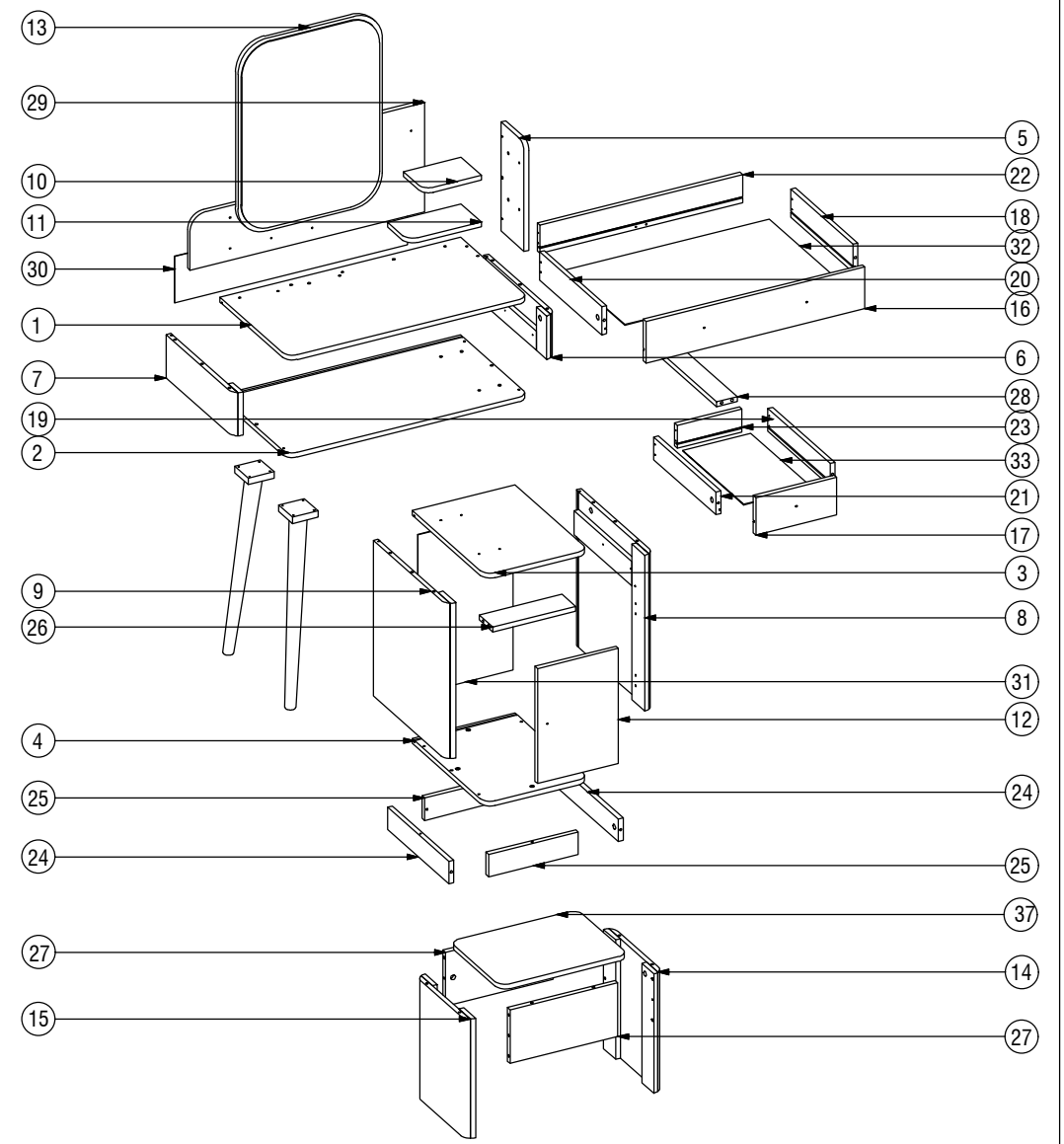
# ASSEMBLING INSTRUCTION



## CARLA DRESSING TABLE 90





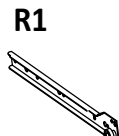
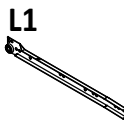



AMW - WHM



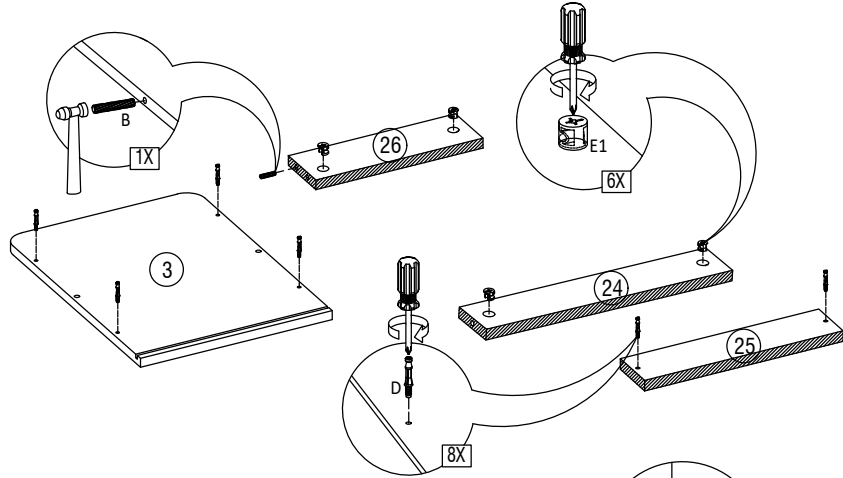
 D 34 X Ø15 MM X 12 MM	 E1 34 X Ø8 X 30 MM	 B 25 X Ø12 X 44 MM	 J2 19 X Ø6 MM X 38 MM	 L 10 X AMERICAN WALNUT	 BT17 8 X
 M3 24 X Ø6 MM X 13 MM	 M6 4 X Ø6 MM X 16 MM	 M1 14 X Ø4 MM X 16 MM	 M2 22 X Ø6 MM X 25 MM	 G 14 X Ø4 MM X 20 MM	 A2 4 X
 Q3 FULL OVERLAY 2 X	 R1 350 MM	 Z2 2 SET	 V 4 X	 BB7 15 MM 4 X	 BU OGGI 1 X



 x2 ±120 M 

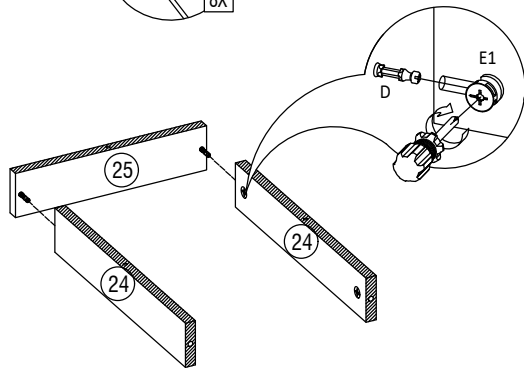
 <p>D</p> <p>8 X</p>	 <p>E1</p> <p>Ø15 MM X 12 MM 6 X</p>	 <p>B</p> <p>Ø8 X 30 MM 1 X</p>	 <p>M3</p> <p>Ø6 MM X 13 MM 4 X</p>	 <p>R1</p> <p>350 MM 1 X</p>	 <p>L1</p> <p>350 MM 1 X</p>	 <p>D</p> <p>2 X</p>	 <p>E1</p> <p>Ø15 MM X 12 MM 4 X</p>	 <p>B</p> <p>Ø8 X 30 MM 4 X</p>
--	---	--	--	--	--	--	---	--

1

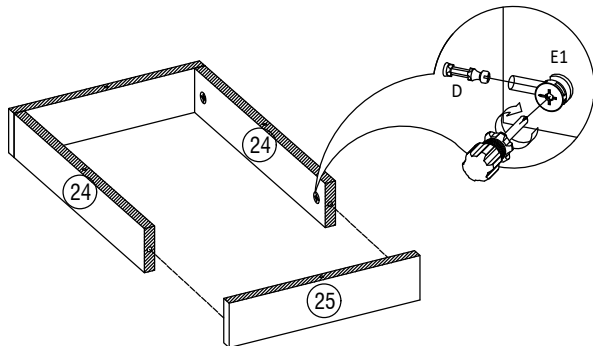


2X

2

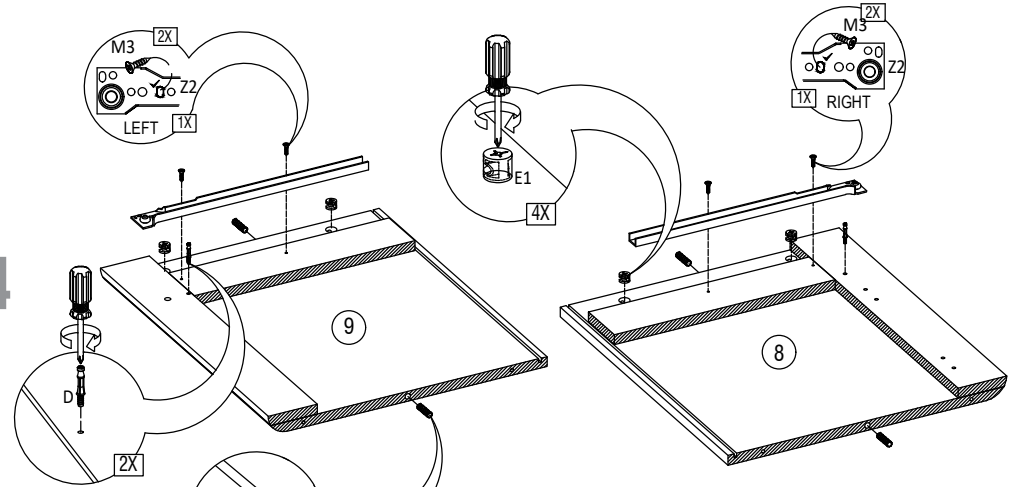


3

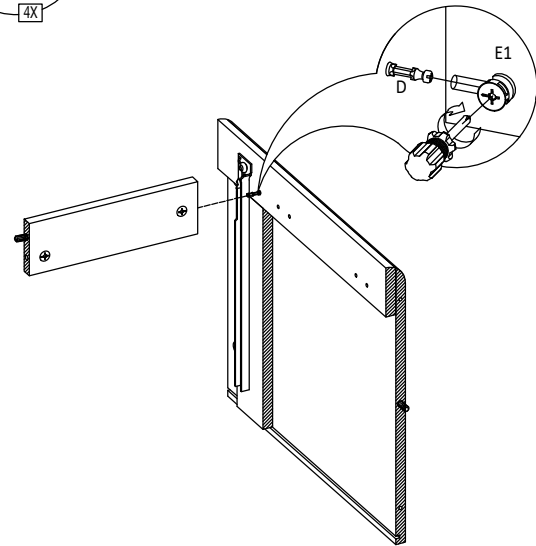


05

4

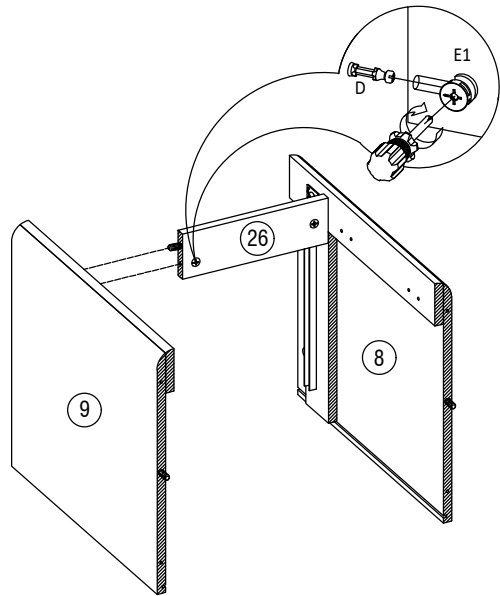


5



06

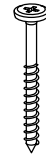
6



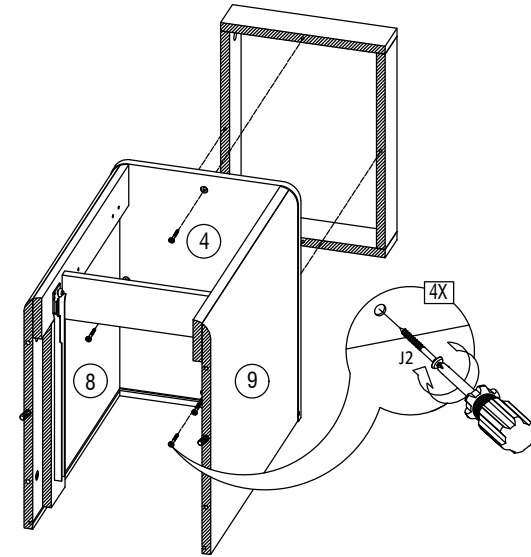
Ø 12 X 44 MM

4 X

J2



8



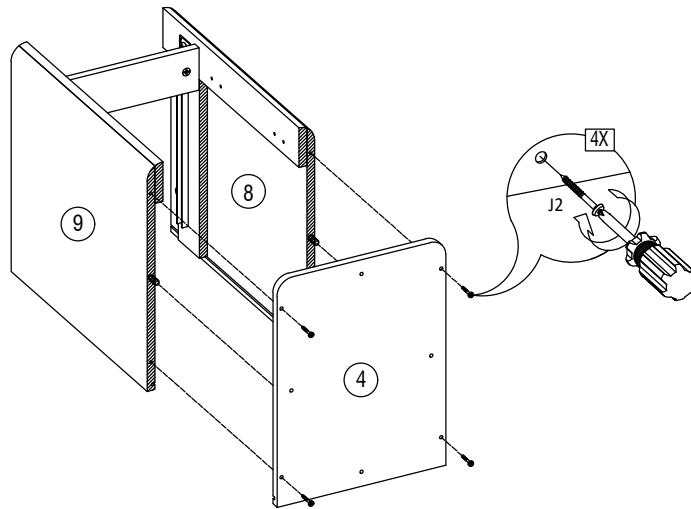
Ø 12 X 44 MM

4 X

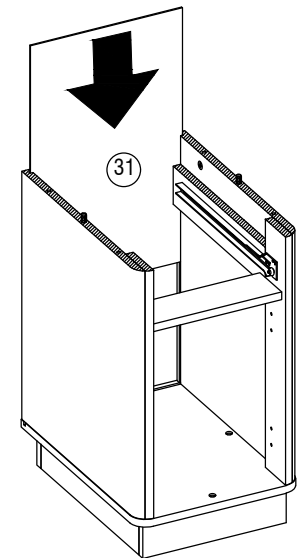
J2



7



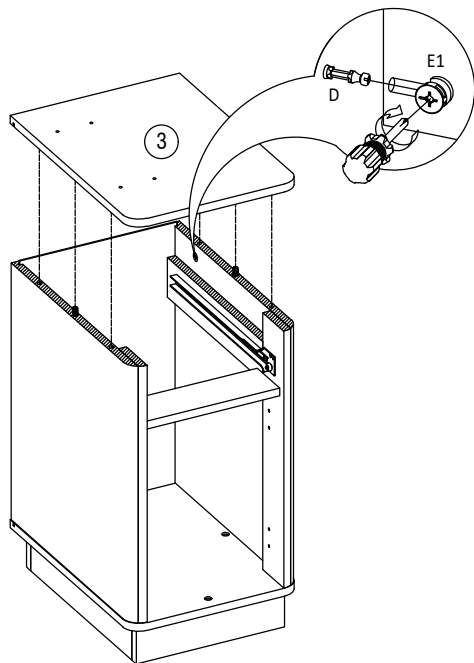
9



07

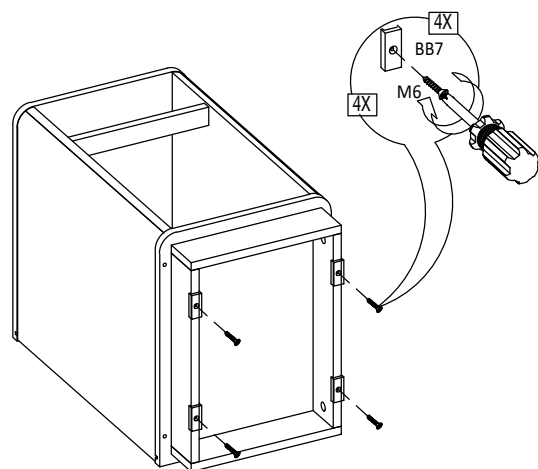
08

10



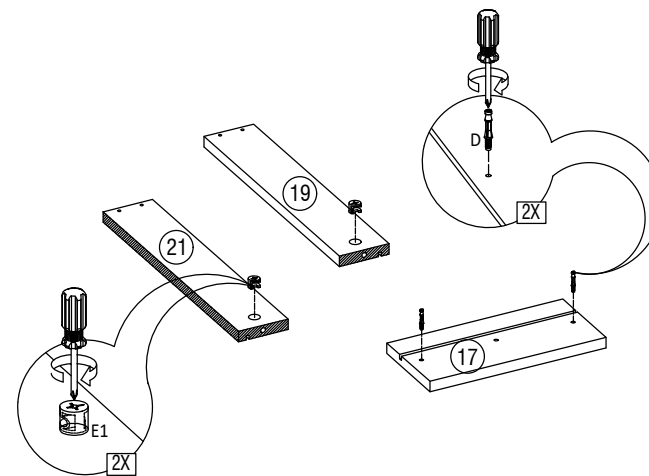
M6	BB7
∅ 6 MM X 16 MM 4 X	15 MM 4 X

11



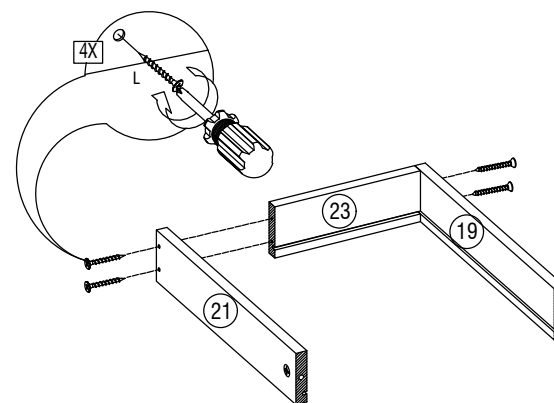
09

12



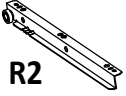
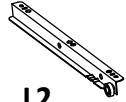
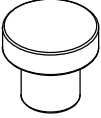



L	D	E1
∅ 6 MM X 38 MM 4 X	2 X	∅ 15 MM X 12 MM 2 X

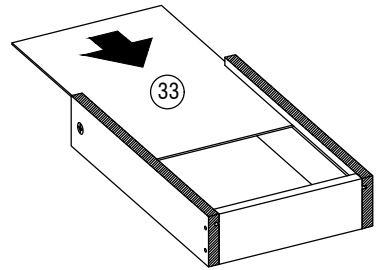
13



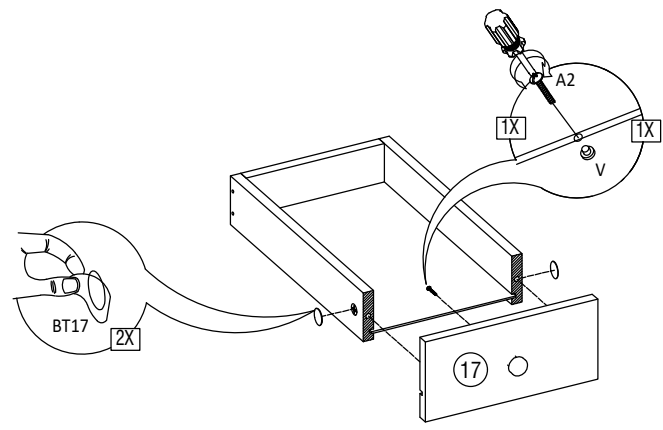
10

 Ø 4 MM X 20 MM	 Ø 6 MM X 13 MM	 350 MM	 350 MM		
A2 1X	M3 4X	Z2 1X	Z2 1X	V 1X	BT17 2X

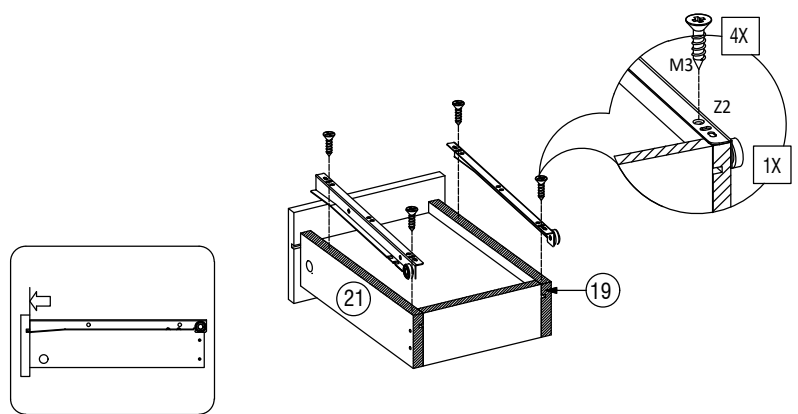
14



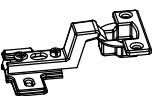
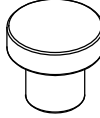
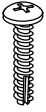

15



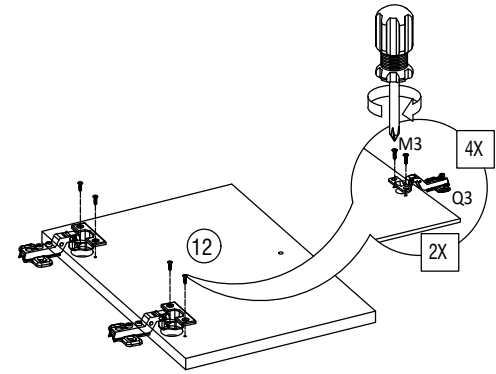
16



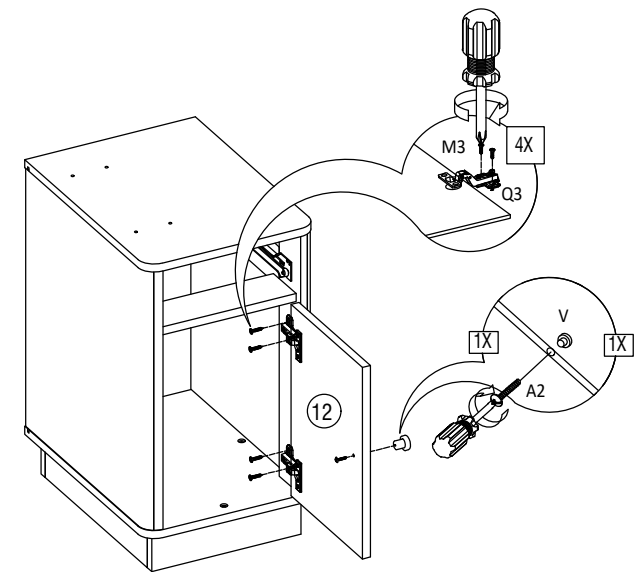
11

		 Ø 4 MM X 20 MM	 Ø 6 MM X 13 MM
Q3 2X	V 1X	A2 1X	M3 8X




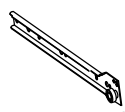
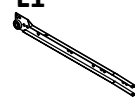
17



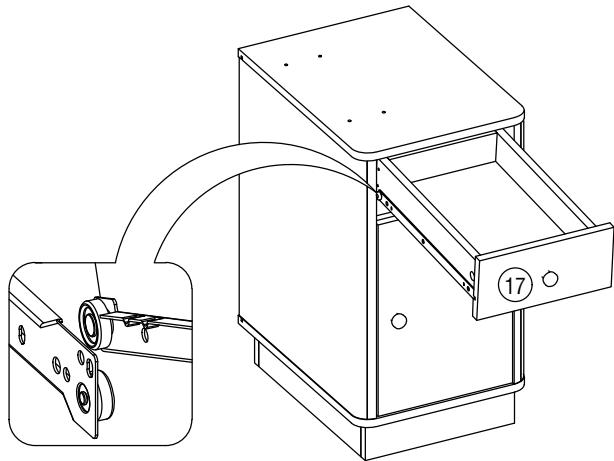
18



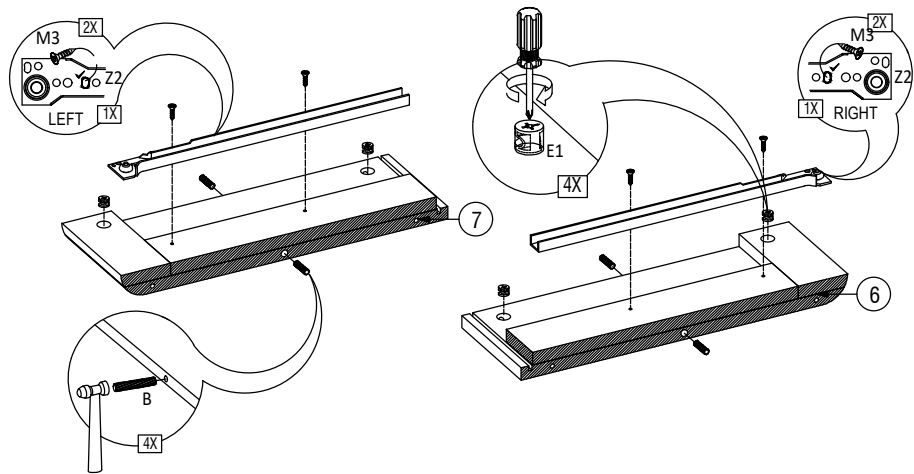
12

<p>E1</p>  <p>Ø15 MM X 12 MM 4 X</p>	<p>B</p>  <p>Ø8 X 30 MM 4 X</p>	<p>M3</p>  <p>Ø 6 MM X 13 MM 4 X</p>	<p>R1</p>  <p>350 MM 1 X</p>	<p>Z2</p>  <p>350 MM 1 X</p>
---	--	---	---	--




19



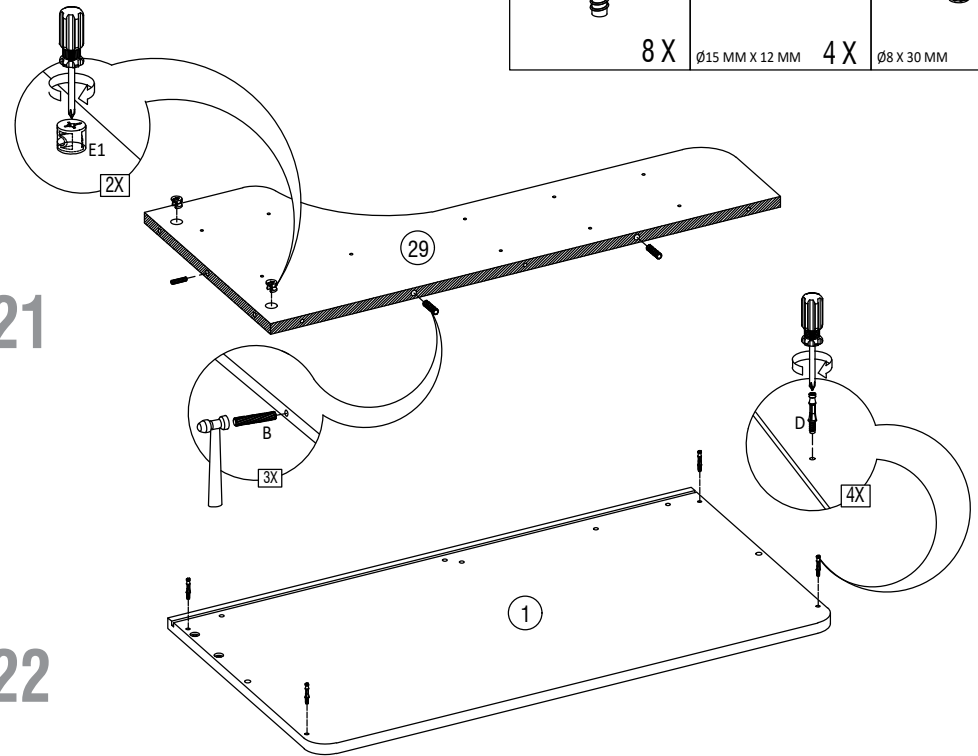
20



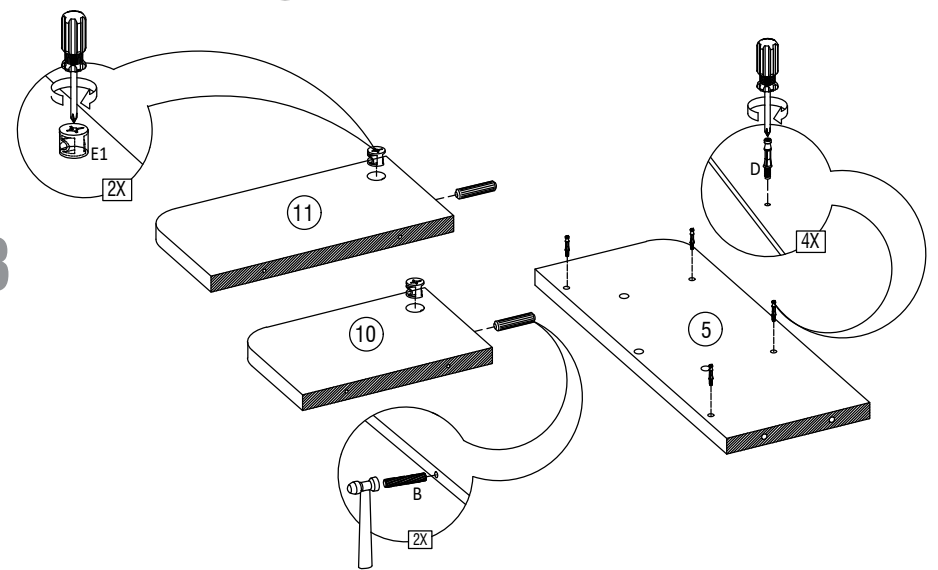
13

<p>D</p>  <p>8 X</p>	<p>E1</p>  <p>Ø15 MM X 12 MM 4 X</p>	<p>B</p>  <p>Ø8 X 30 MM 5 X</p>
--	---	--

21



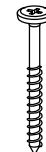



22

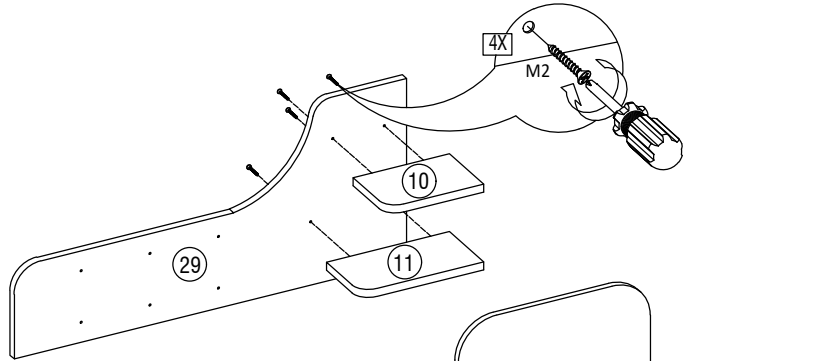


23

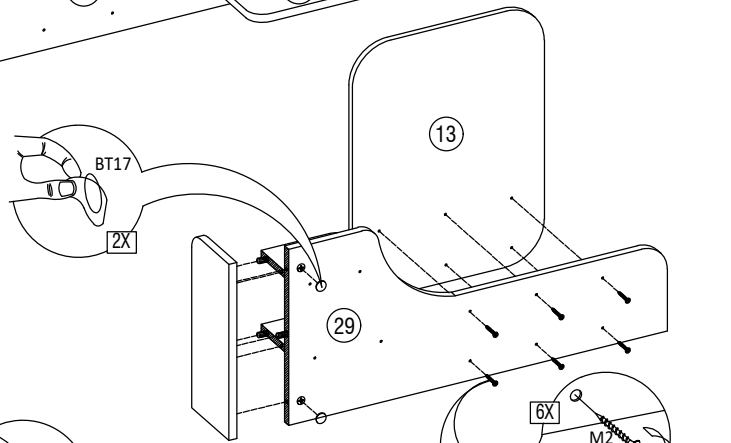
14

 <p>AMERICAN WALNUT 4 X</p>	 <p>B Ø8 X 30 MM 1 X</p>	 <p>J2 Ø 12 X 44 MM 7 X</p>	 <p>M2 Ø 6 MM X 25 MM 10 X</p>
--	---	---	---

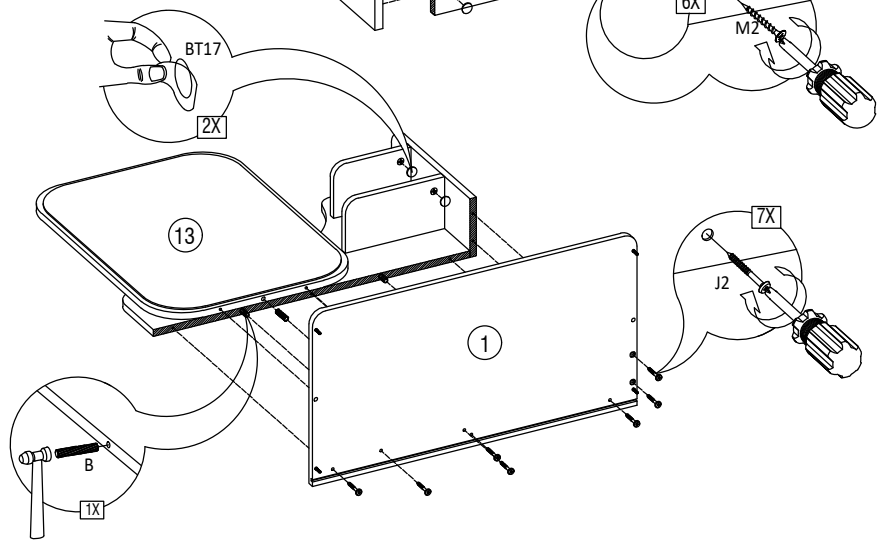
24



25

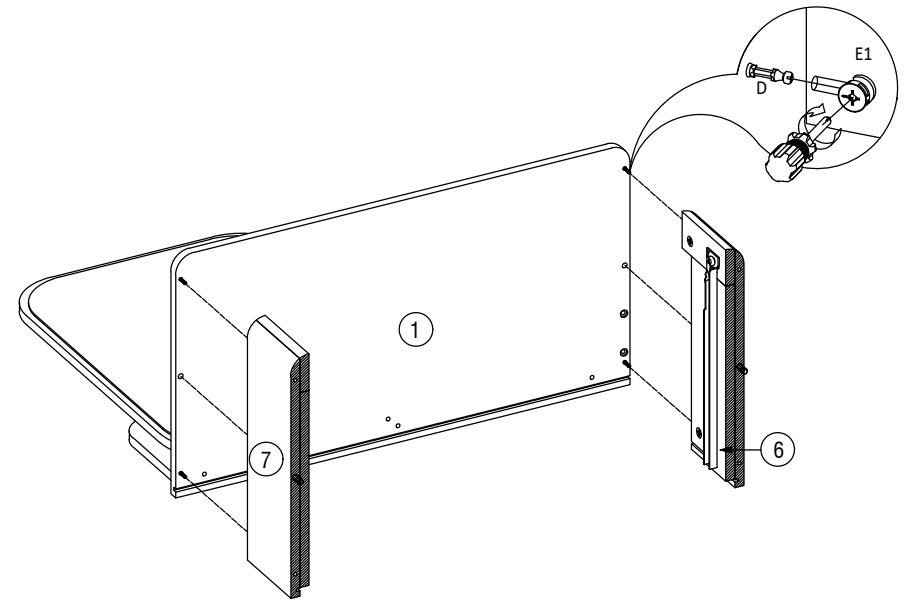


26

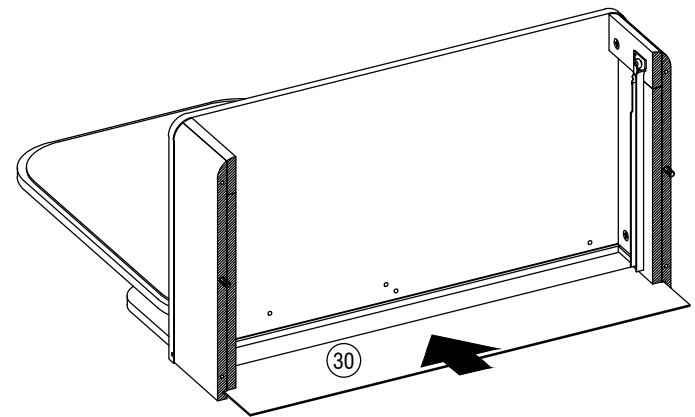


15

27



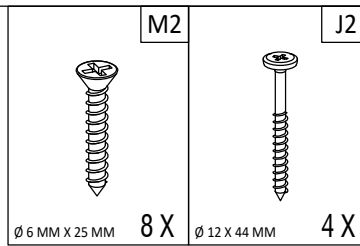
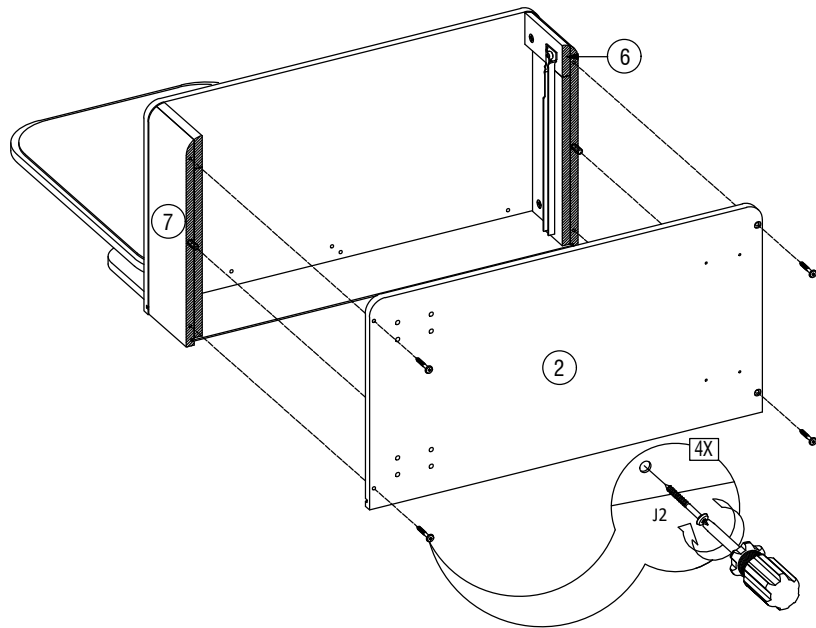
28



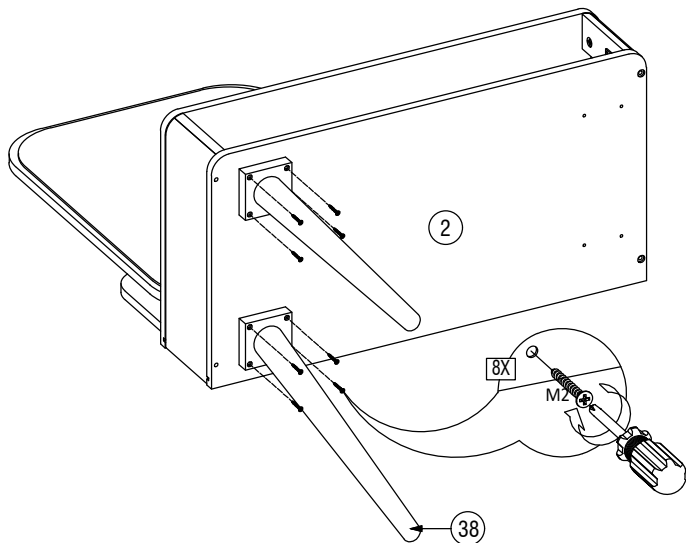
16



29

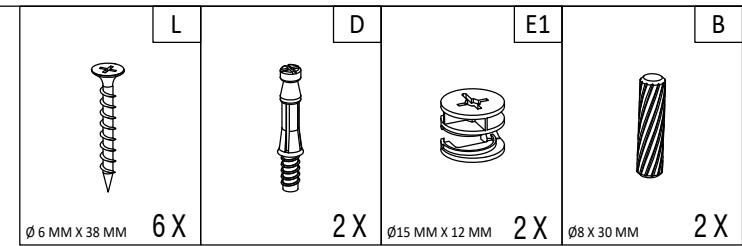
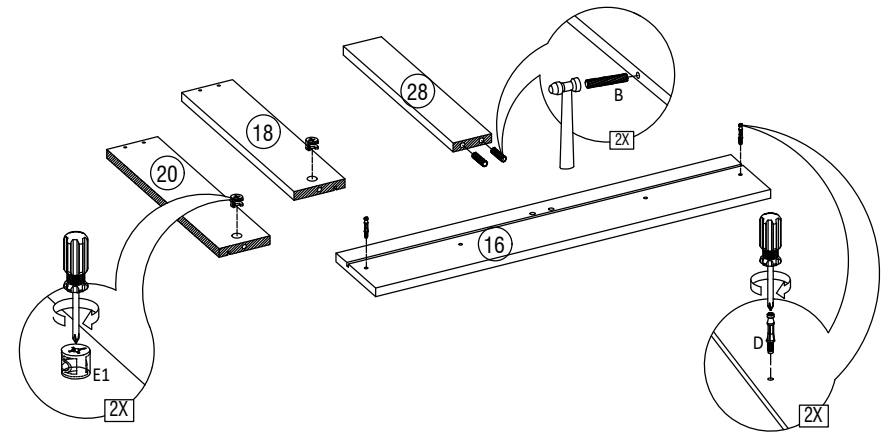


30

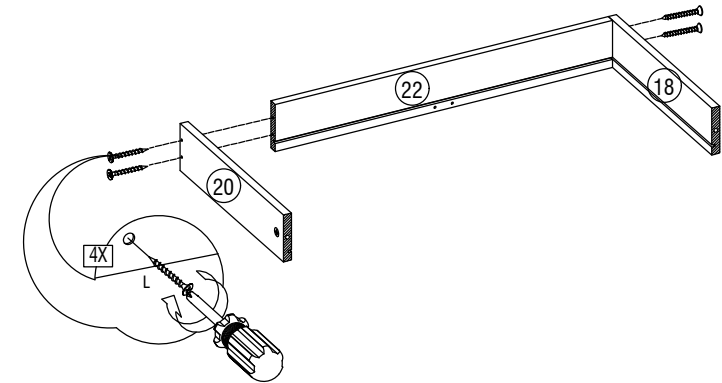


17

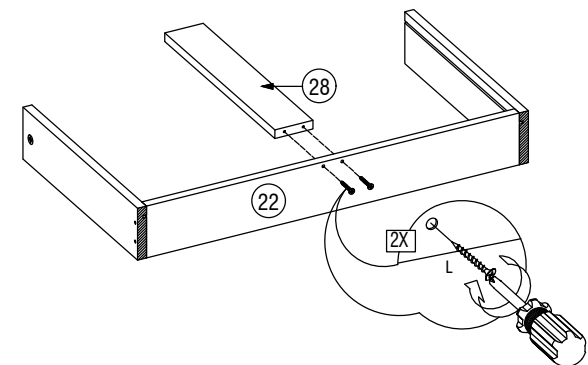
31




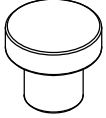

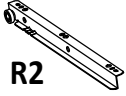
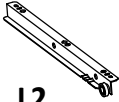

32






33

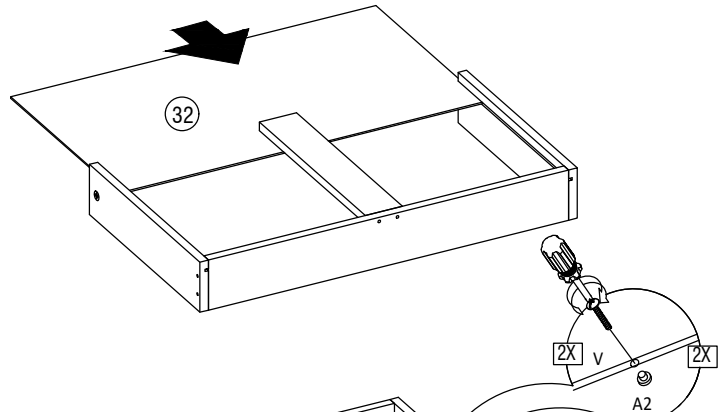


18

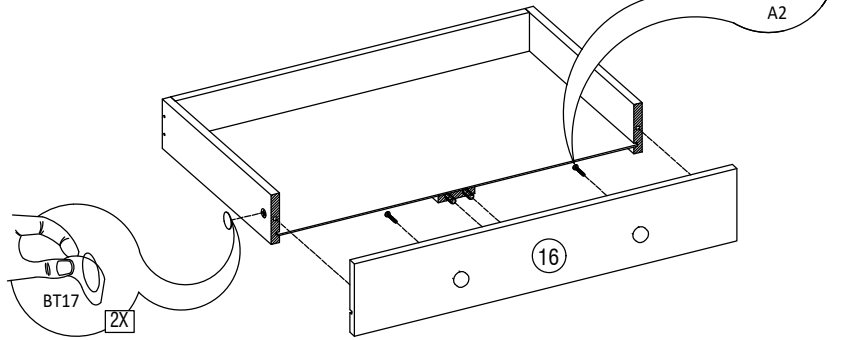
					
A2	V	M3	Z2	Z2	BT17
∅ 4 MM X 20 MM		∅ 6 MM X 13 MM	350 MM	350 MM	AMERICAN WALNUT
2 X	2 X	4 X	1 X	1 X	2 X

		
D	E1	B
	∅ 15 MM X 12 MM	∅ 8 X 30 MM
12 X	12 X	8 X

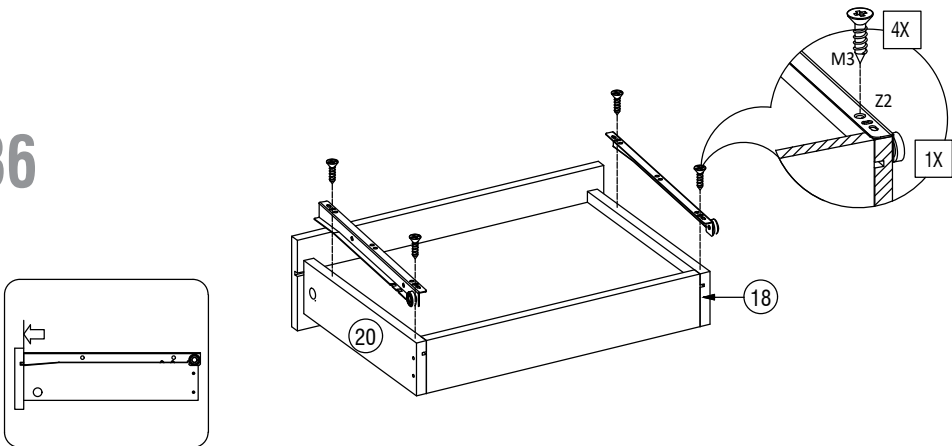
34



35

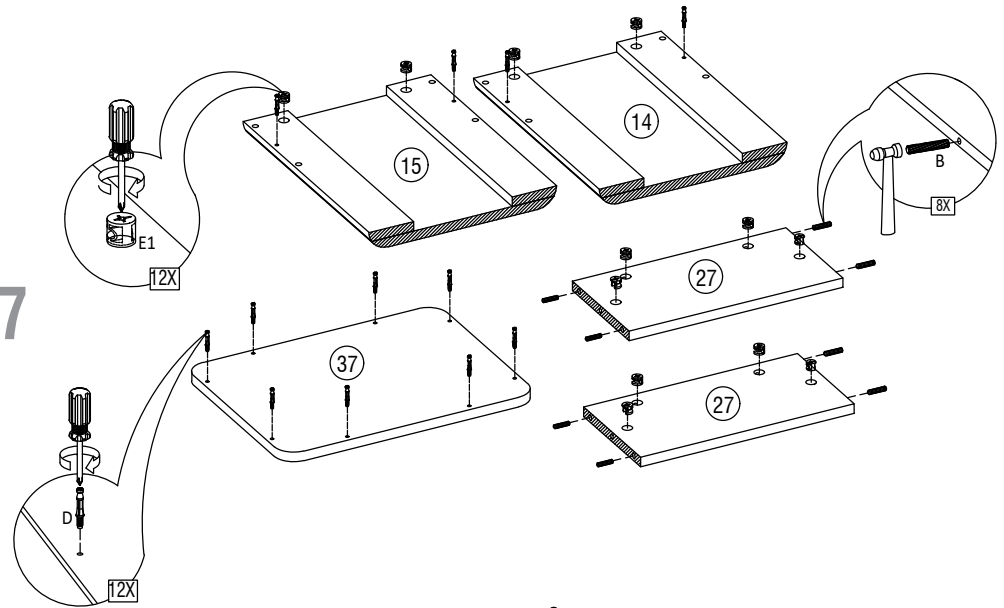


36

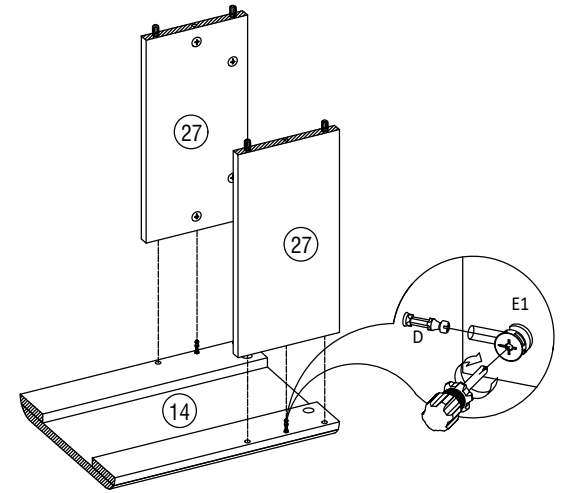


19

37

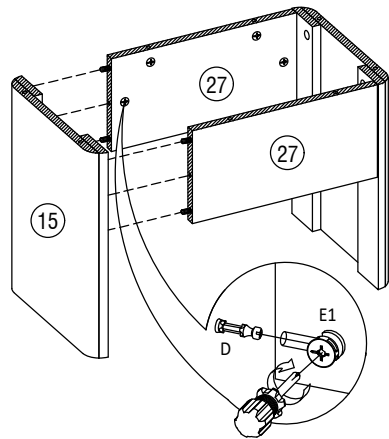


38

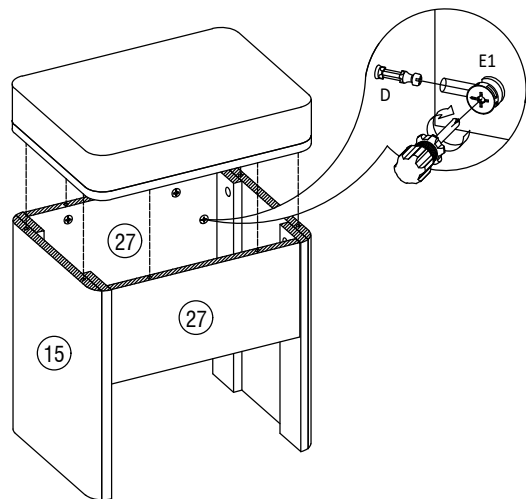


20

39

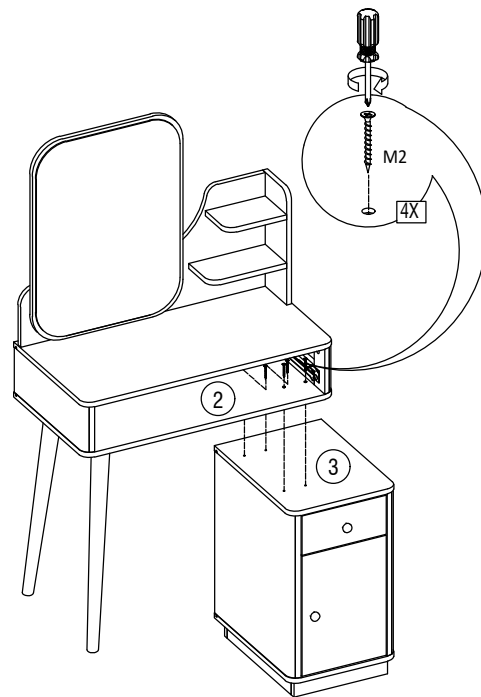


40

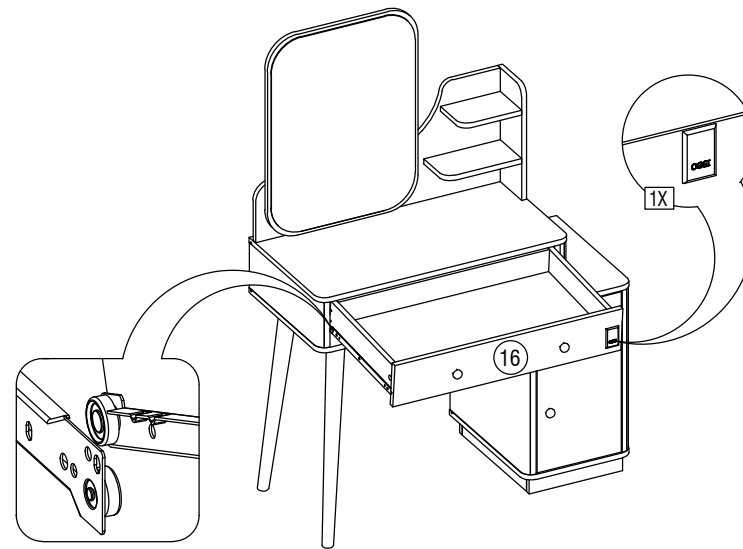


21

41

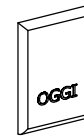


42



22

BU



1X

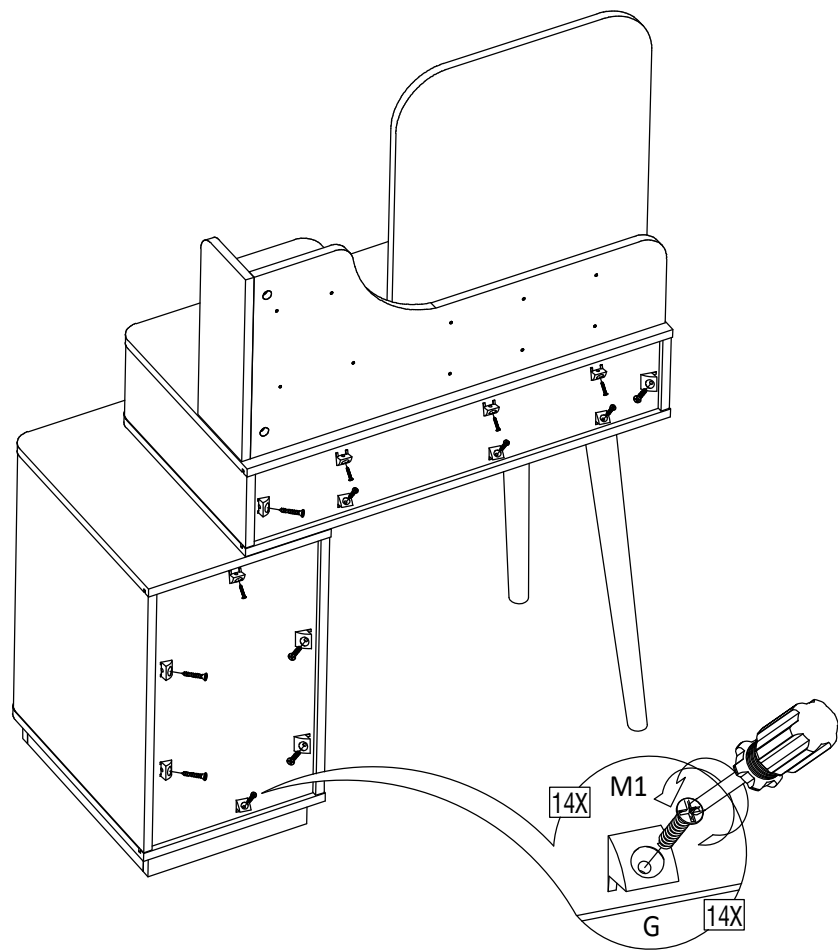
M2



Ø 6 MM X 25 MM

4X

43

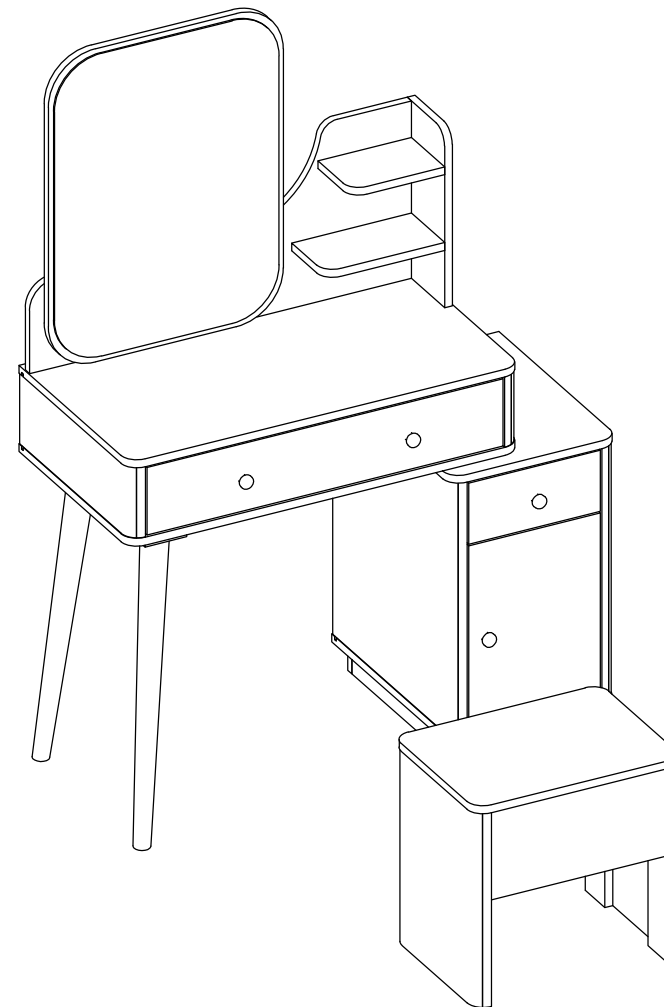


M1  
Ø 4 MM X 16 MM 14 X

G 14 X

23

44



24