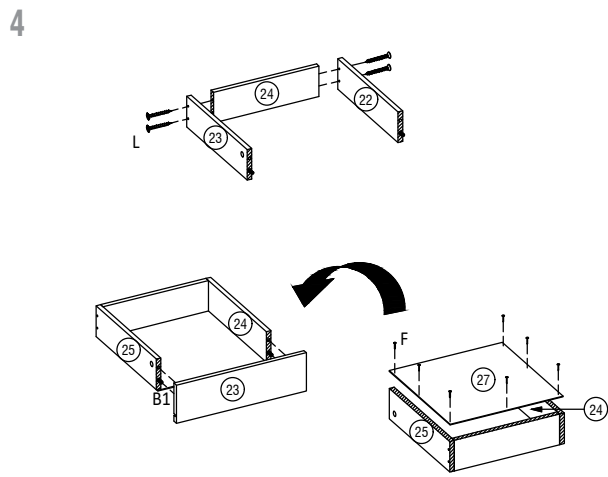
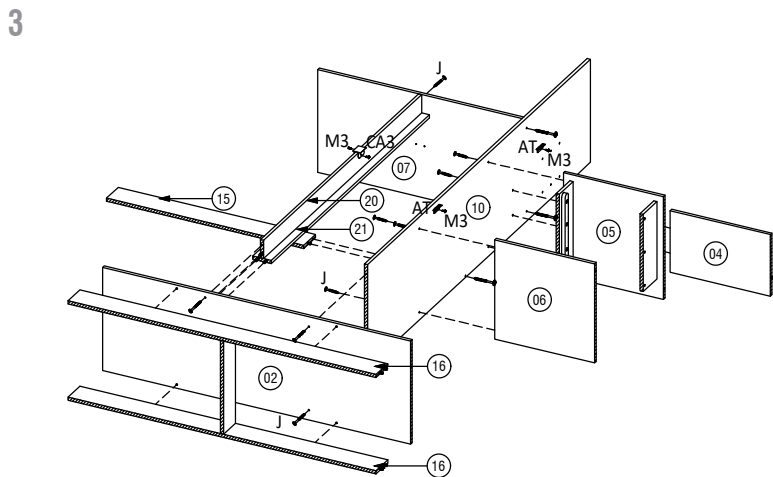
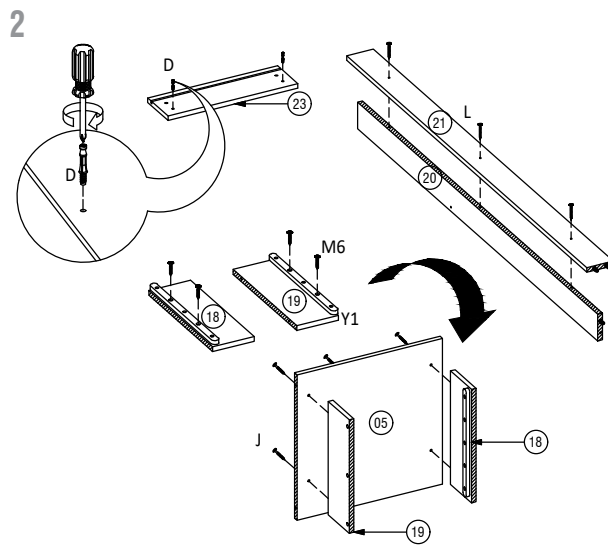
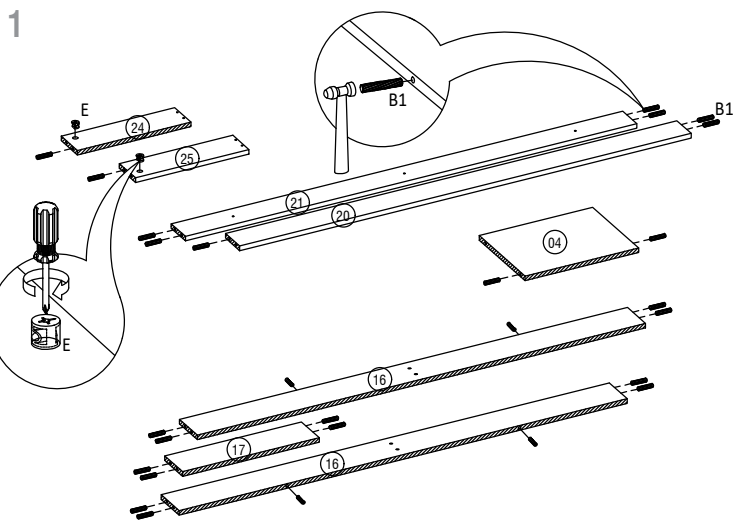
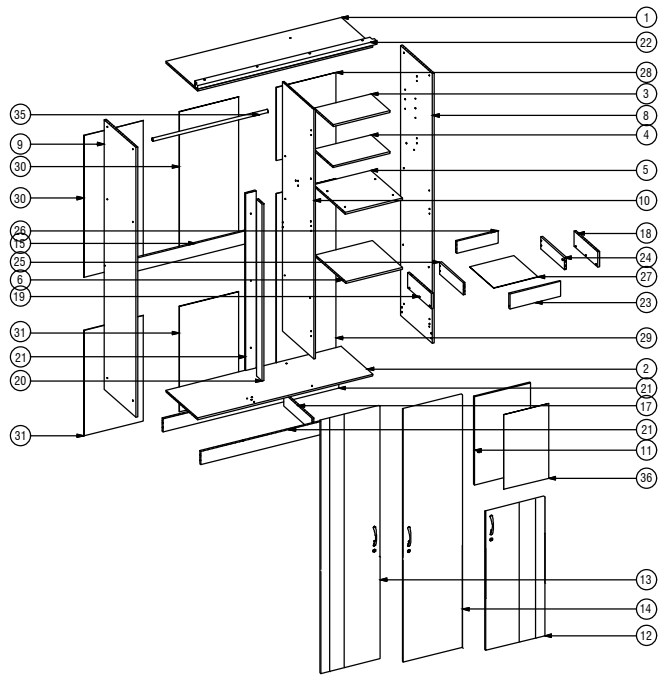
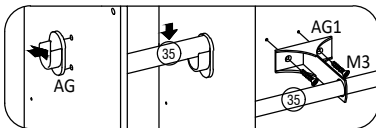
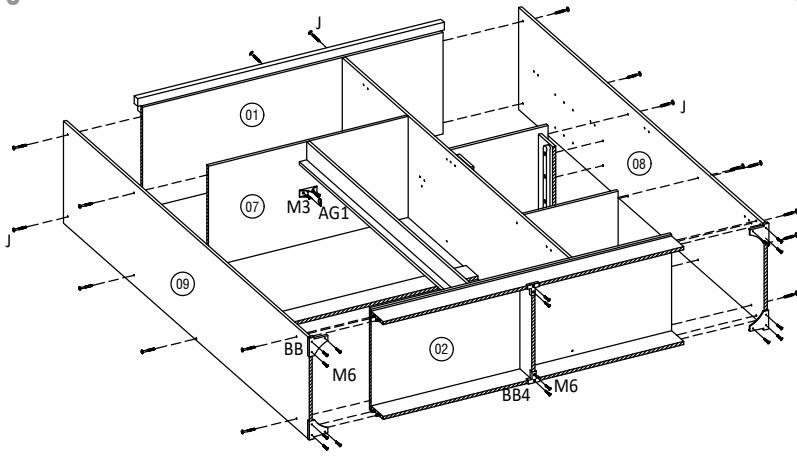


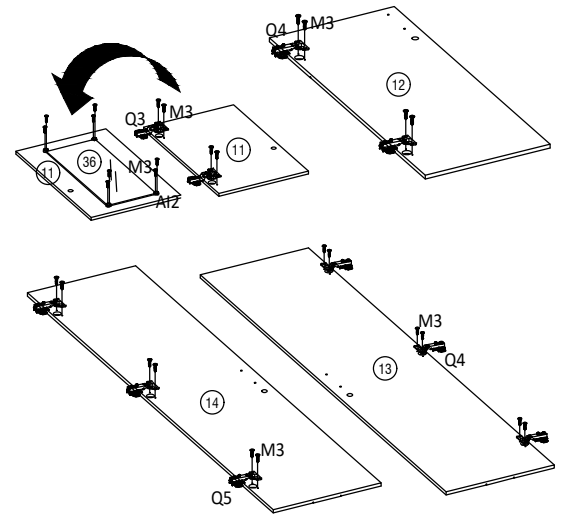
<b>B1</b> Ø6 MM X 30 MM 27 X	<b>J</b> Ø 10 MM X 44 MM 34 X	<b>D</b> 2 X	<b>E</b> Ø12 MM X 10 MM 2 X	<b>L</b> Ø 6 MM X 38 MM 7 X	<b>F1</b> 19 MM 13 g
<b>M6</b> Ø 6 MM X 16 MM 20 X	<b>M2</b> Ø 6 MM X 25 MM 4 X	<b>W31</b> 3 X	<b>Q4</b> INSET 5 X	<b>Q5</b> HALF OVERLAY 3 X	<b>U</b> Ø16 MM 4 X
<b>AG1</b> 1 X	<b>AI2</b> WHITE 4 X	<b>BB</b> 12 MM 2 X	<b>BB4</b> 12 MM 2 X	<b>CA3</b> SAYAP BACK 12MM 1 X	<b>AT</b> 2 X
<b>F</b> 13 MM 6 g	<b>M3</b> Ø 6 MM X 13 MM 70 X	<b>Y1</b> 300 MM 1 SET	<b>AG</b> 2 X	<b>Q3</b> FULL OVERLAY 2 X	<b>AH1</b> 4 X



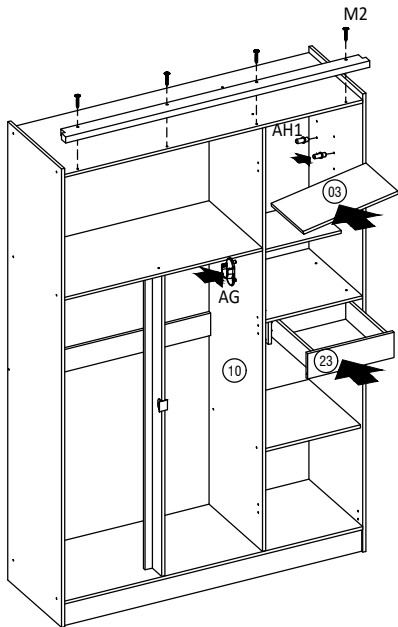
5



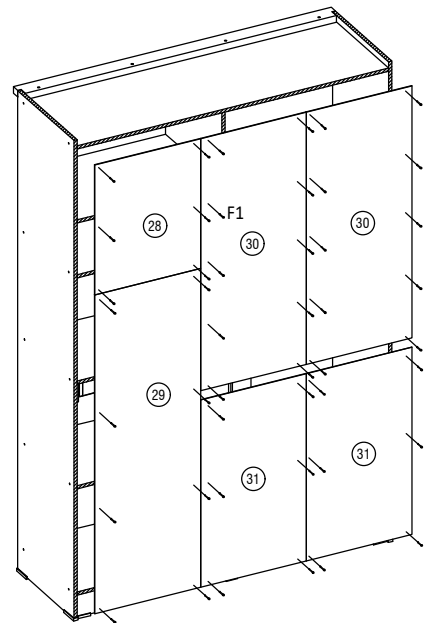
6



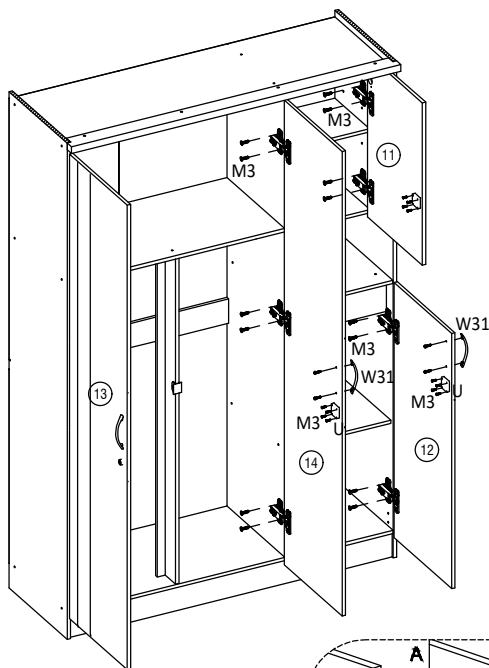
7



8



9



10

