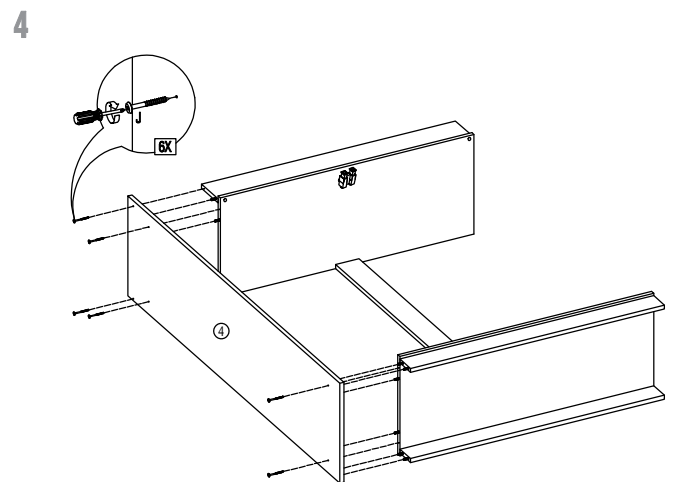
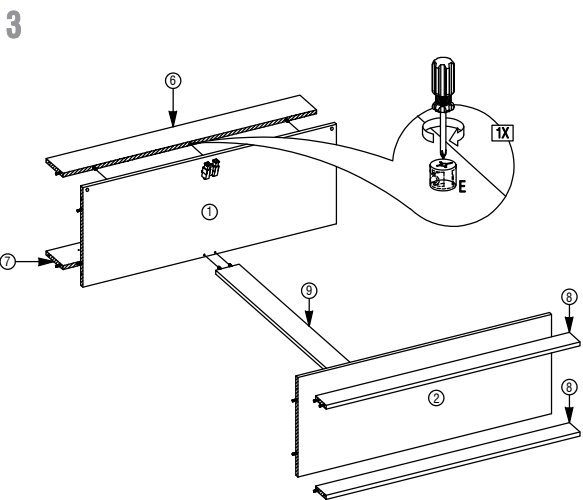
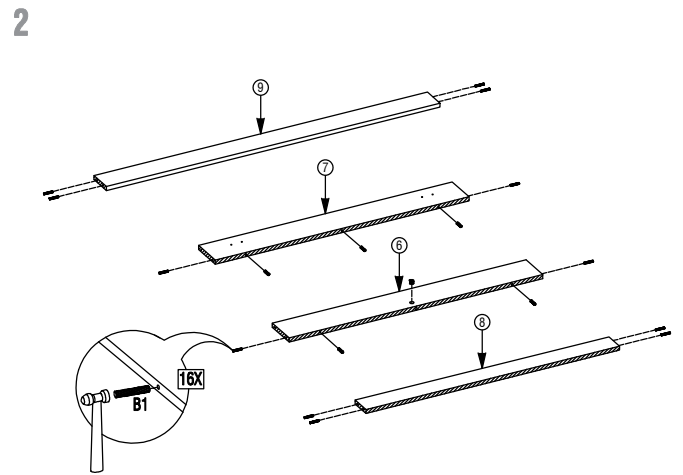
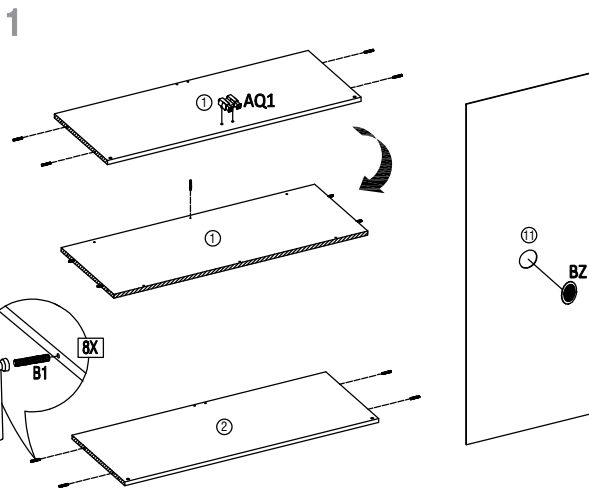
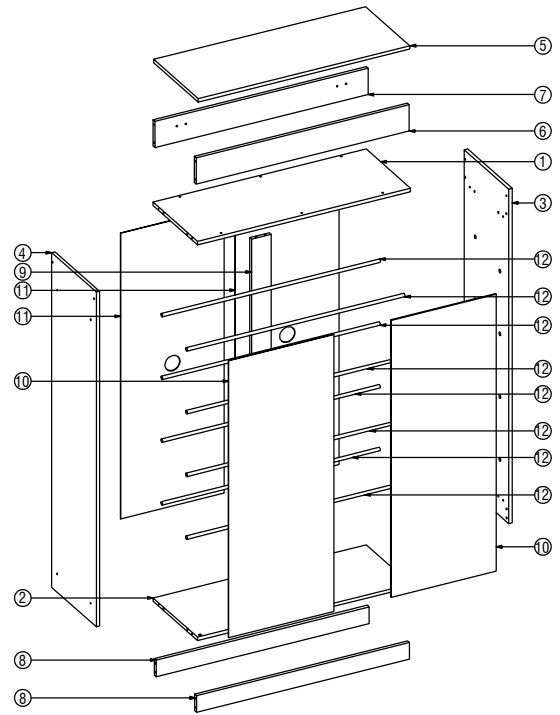
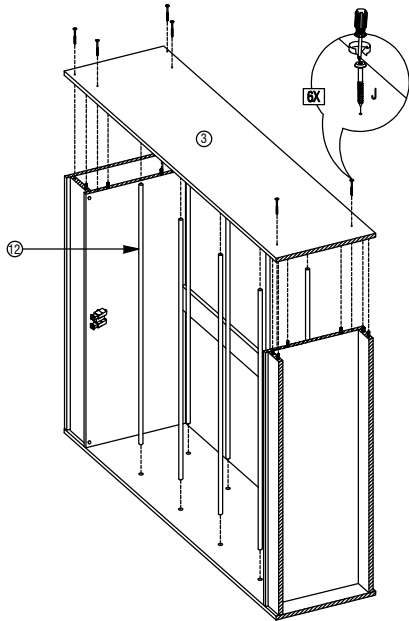


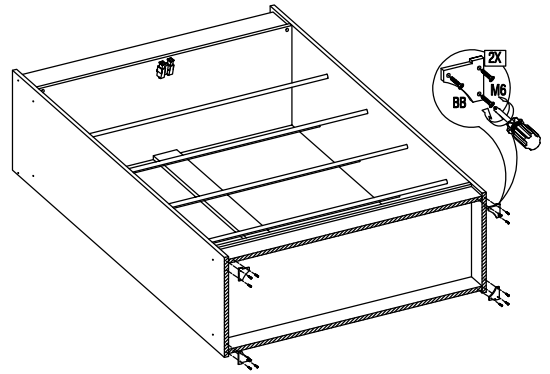
|                                    |                                     |                                     |                                    |                          |                           |
|------------------------------------|-------------------------------------|-------------------------------------|------------------------------------|--------------------------|---------------------------|
| <b>B1</b><br>Ø6 MM X 30 MM<br>29 X | <b>J</b><br>Ø 10 MM X 44 MM<br>12 X | <b>M6</b><br>Ø 6 MM X 16 MM<br>12 X | <b>M3</b><br>Ø 6 MM X 13 MM<br>8 X | <b>F</b><br>13 MM<br>8 g | <b>AM</b><br>2 SET        |
| <b>D</b><br>1 X                    | <b>E</b><br>Ø12 MM X 10 MM<br>1 X   | <b>BZ</b><br>2 X                    | <b>BB</b><br>12 MM<br>2 SET        | <b>AK</b><br>16 X        | <b>Q1</b><br>INSET<br>2 X |
| <b>AQ1</b><br>1 X                  | <b>CB1</b><br>12 MM<br>1 SET        |                                     |                                    |                          |                           |



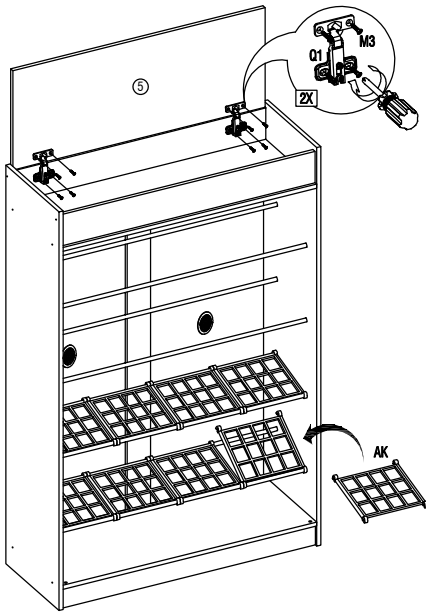
5



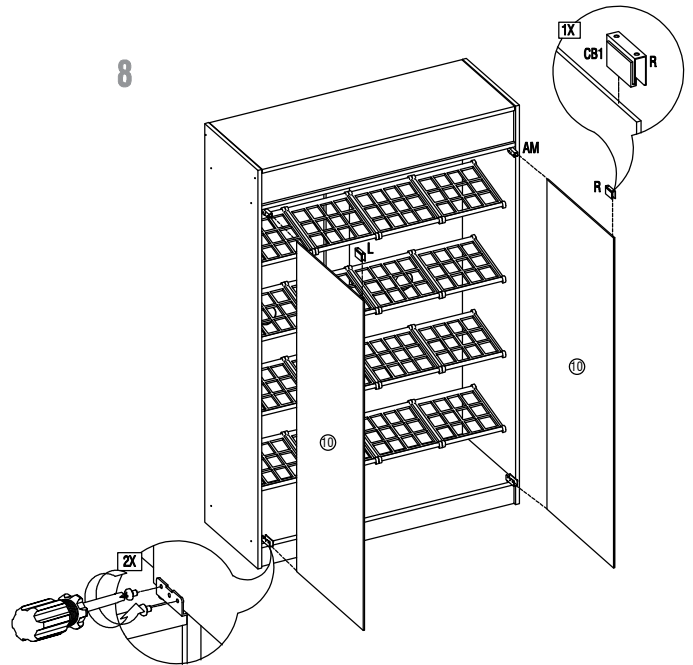
6



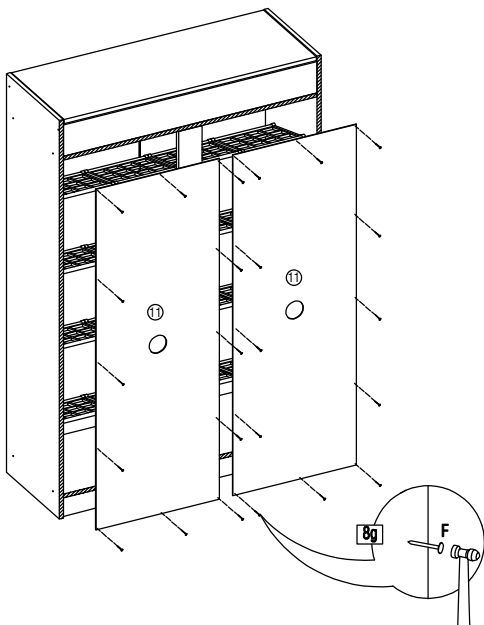
7



8



9



10

