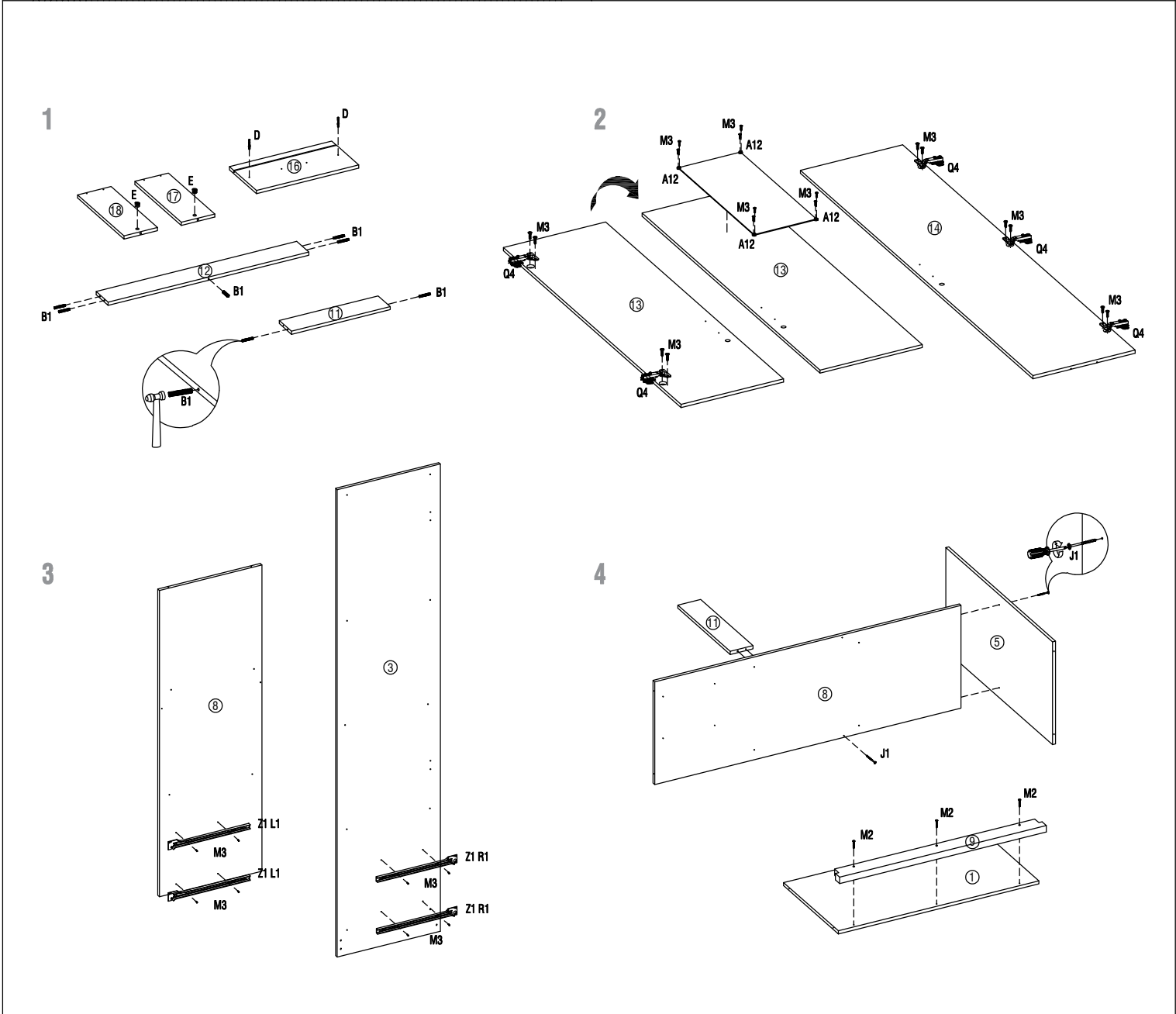
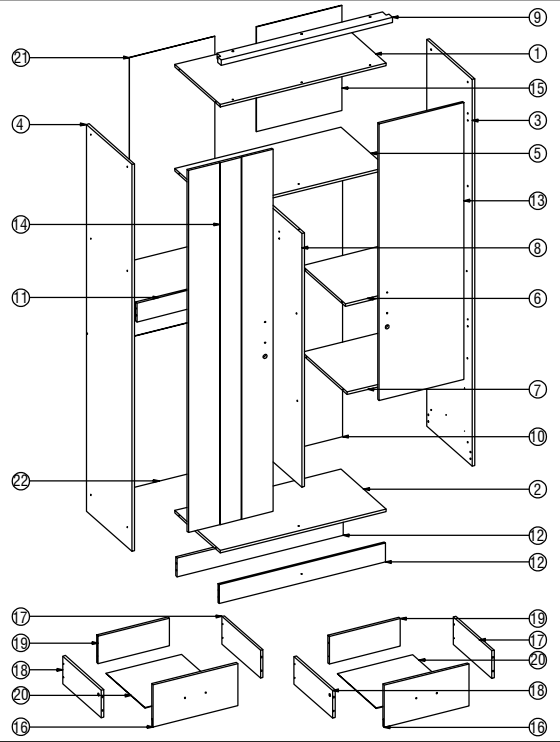
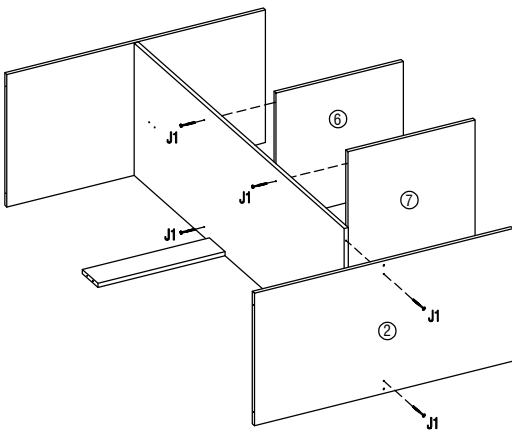


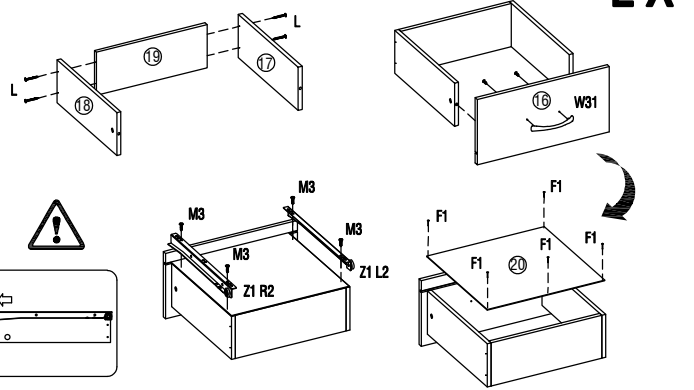
B1 Ø6 MM X 30 MM 12 X	D 4 X	E Ø12 MM X 10 MM 4 X	F 13 MM 3 g	F1 19 MM 14 g	J1 Ø 10 MM X 44 MM 26 X
L Ø 6 MM X 38 MM 8 X	M3 Ø 6 MM X 13 MM 54 X	M6 Ø 6 MM X 16 MM 14 X	M2 Ø 6 MM X 25 MM 3 X	BB 12 MM 2 SET	BB6 12 MM 2 X
R1 300 MM 2 SET	L1 2 SET	Z1 Ø16 MM 2 X	U 2 X	AG WHITE 4 X	AI2 ↑↑ 4 X
CA3 SAYAP BLACK 12 MM 1 X	Q4 INSET 5 X				



5

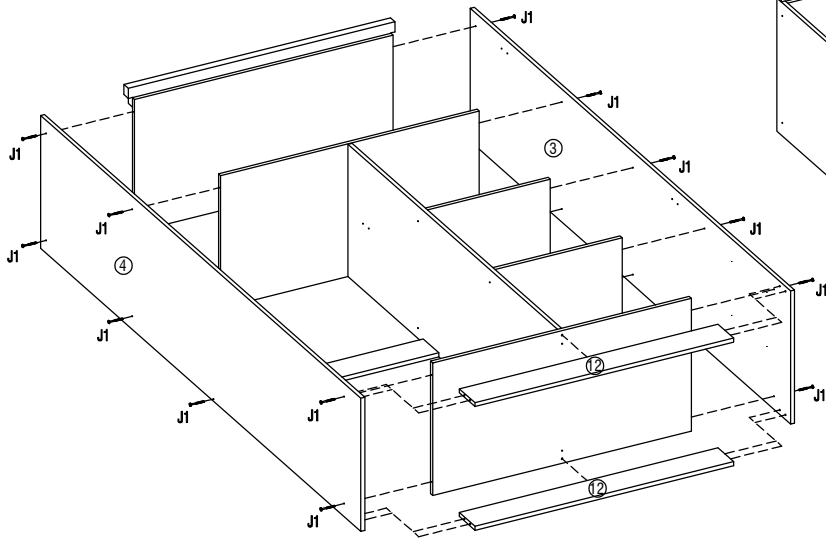


6

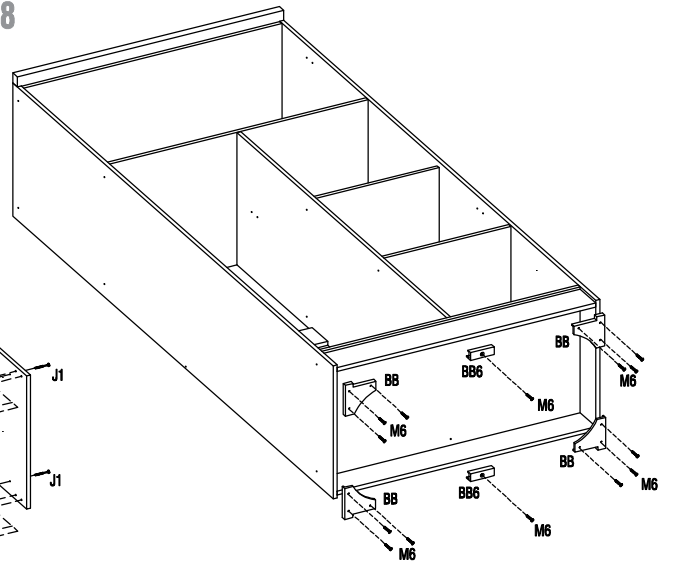


2X

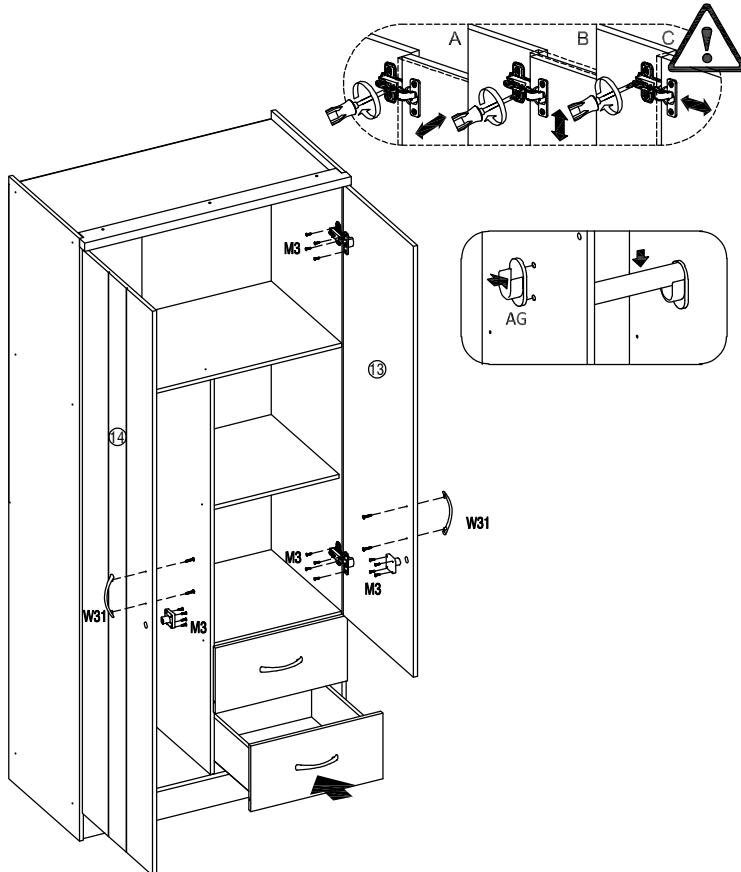
7



8



9



10

