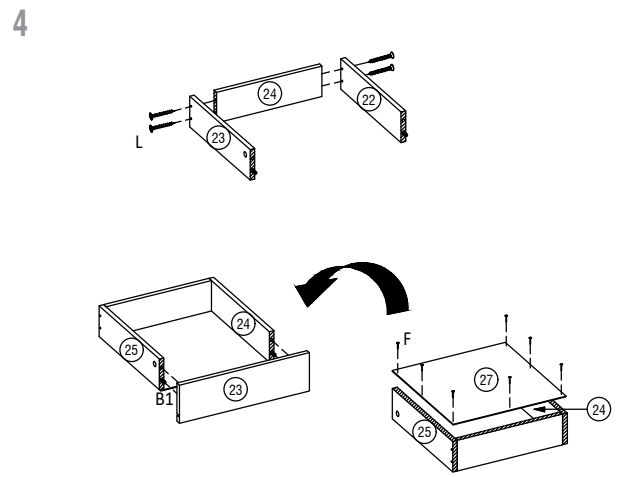
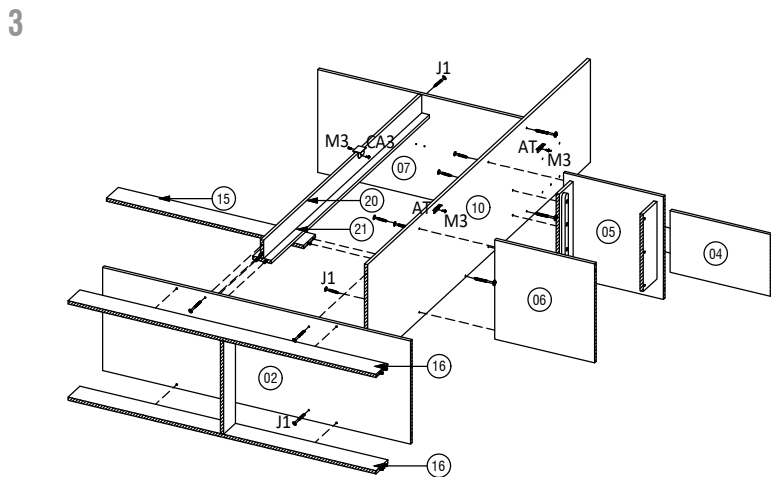
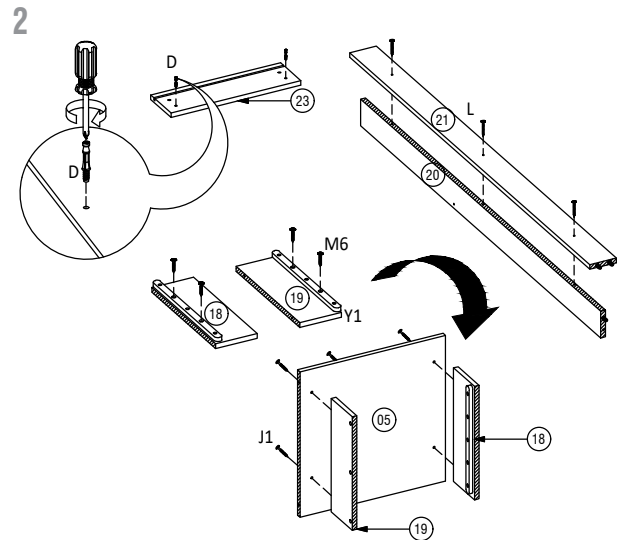
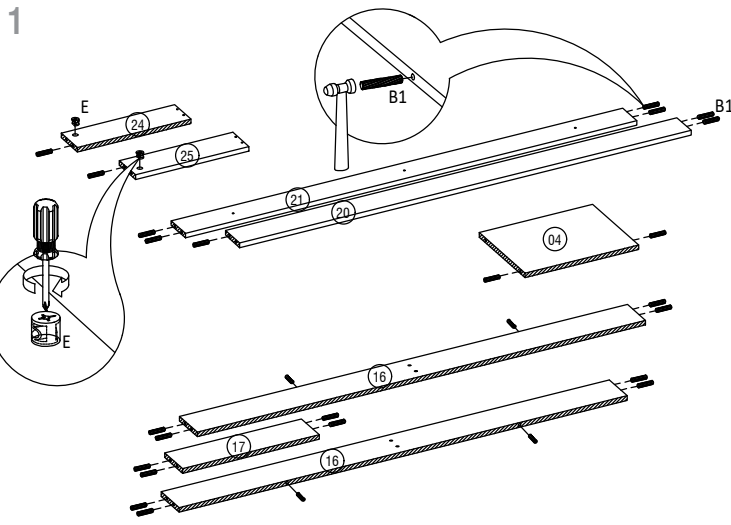
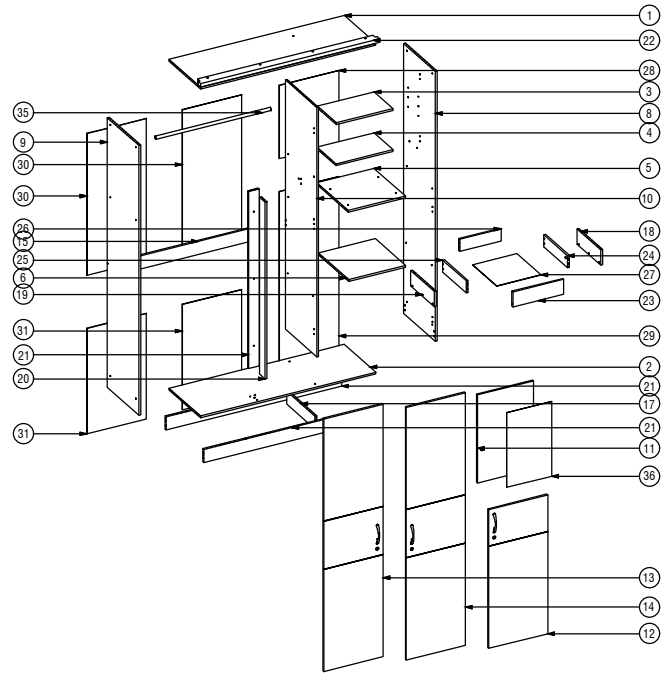
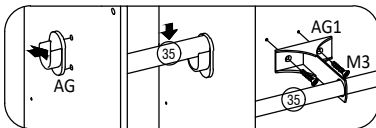
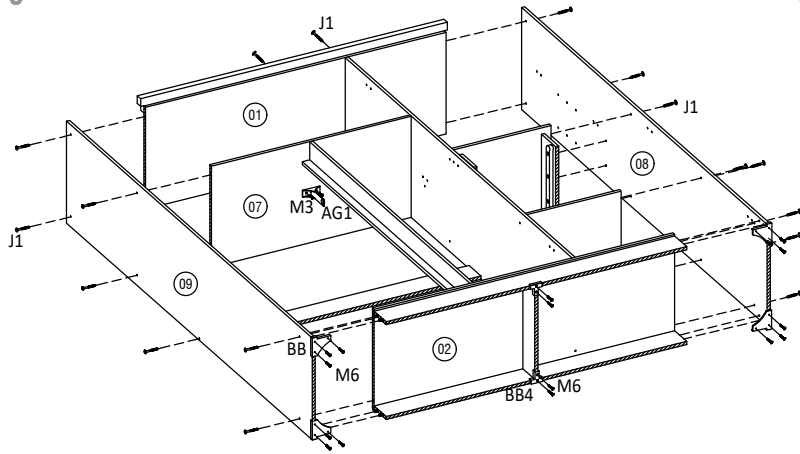


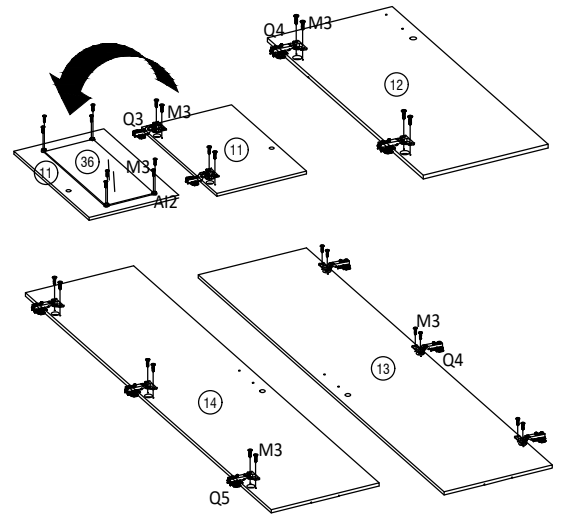
B1 Ø6 MM X 30 MM 27 X	J1 Ø 10 MM X 44 MM 34 X	D 2 X	E Ø12 MM X 10 MM 2 X	L Ø 6 MM X 38 MM 7 X	F1 19 MM 13 g
M6 Ø 6 MM X 16 MM 20 X	M2 Ø 6 MM X 25 MM 4 X	W31 3 X	Q4 INSET 5 X	Q5 HALF OVERLAY 3 X	U Ø16 MM 4 X
AG1 1 X	AI2 WHITE 4 X	BB 12 MM 2 X	BB4 12 MM 2 X	CA3 SAYAP BACK 12MM 1 X	AT 2 X
F 13 MM 6 g	M3 Ø 6 MM X 13 MM 70 X	Y1 300 MM 1 SET	AG 2 X	Q3 FULL OVERLAY 2 X	AH1 4 X



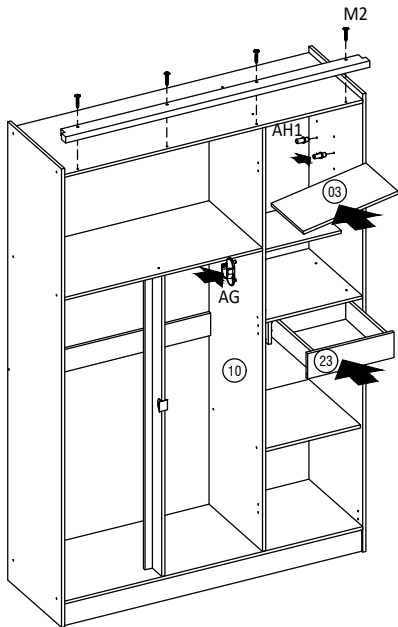
5



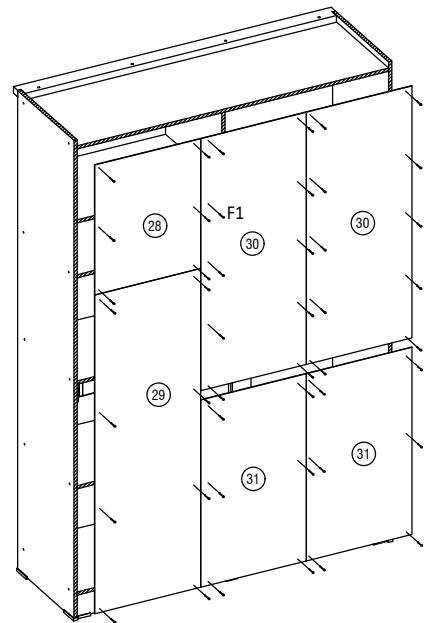
6



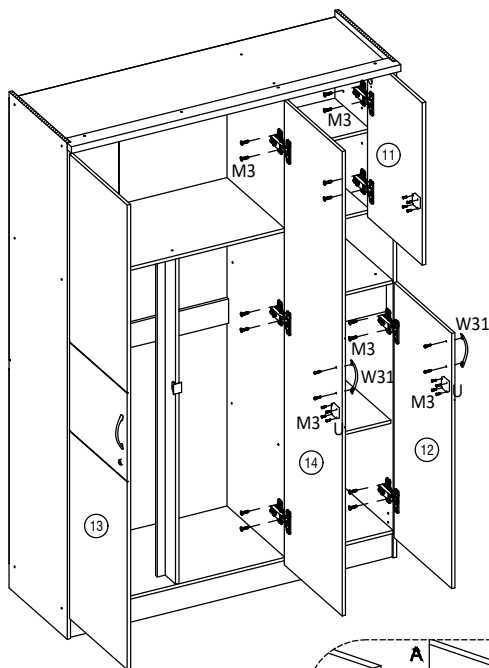
7



8



9



10

