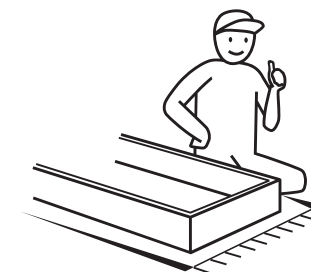
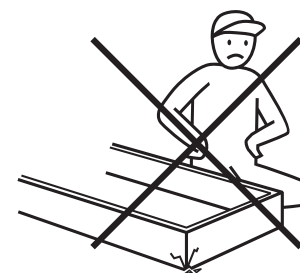
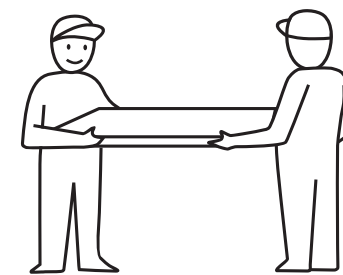
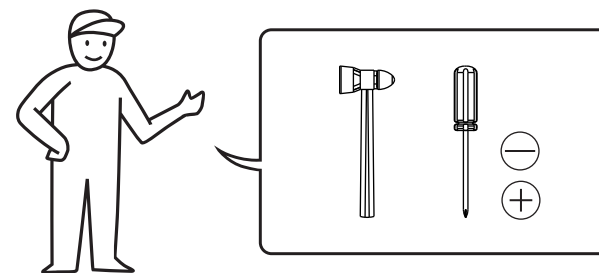

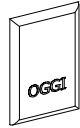




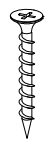
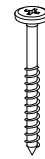


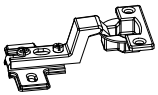
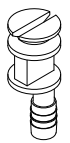
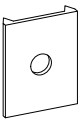

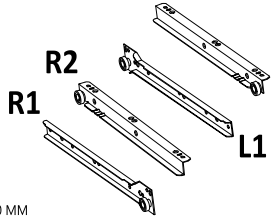

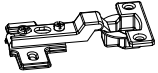
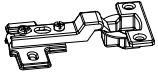


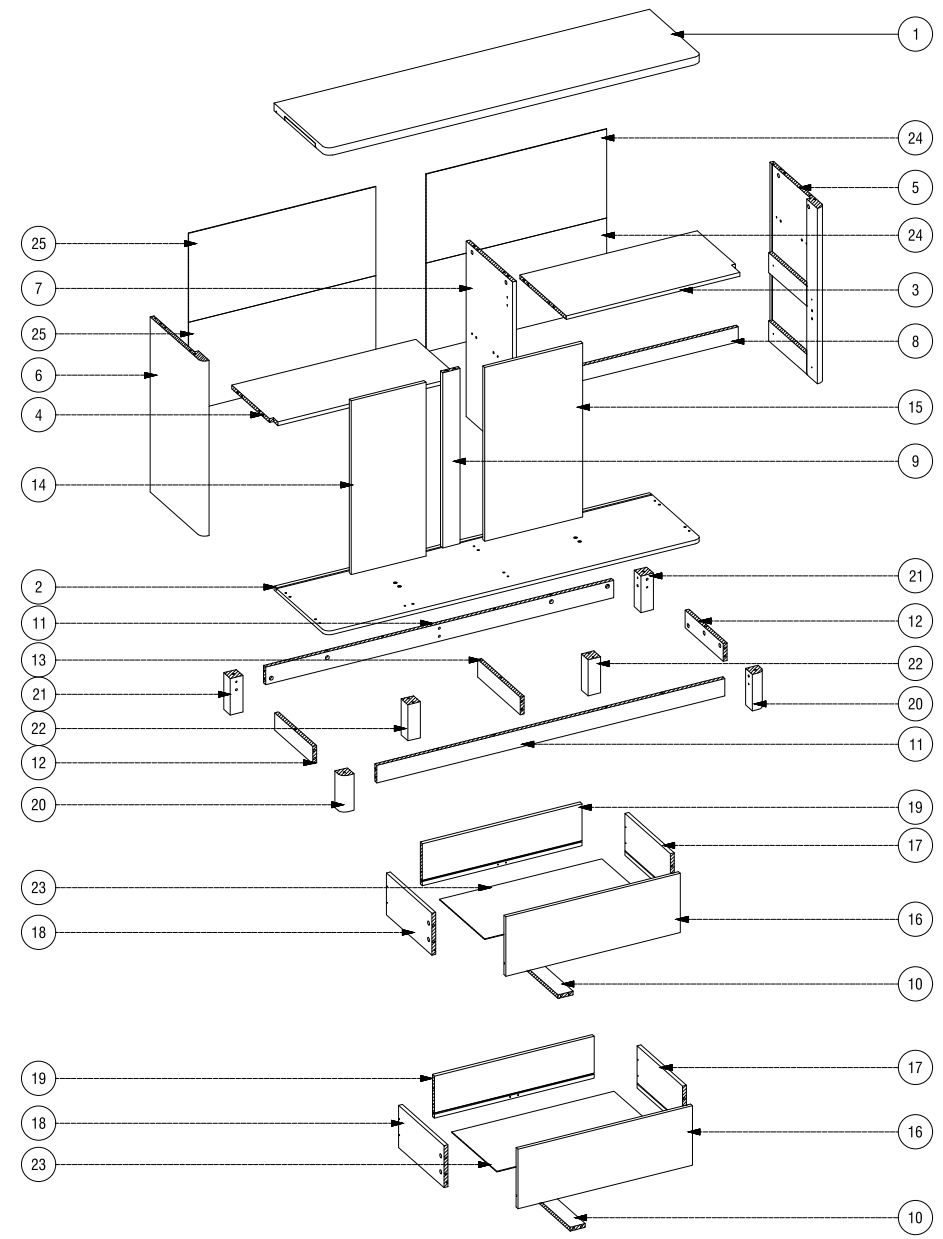
ASSEMBLING INSTRUCTION

LYRA SIDEBOARD 150

WHITE - SONOMA OAK

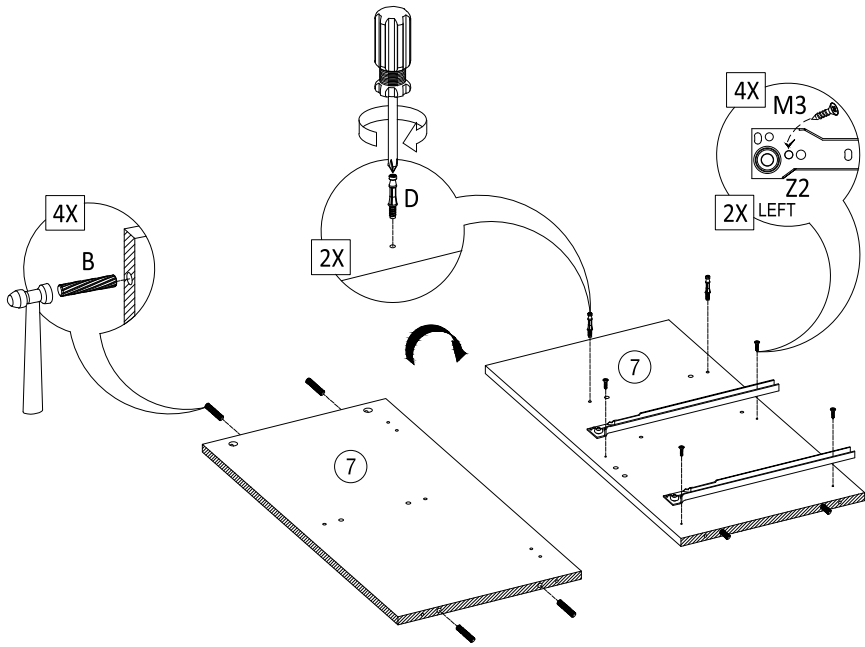


BT2  WHITE 12 X	BU  1 X	E1  Ø15 MM X 12 MM 36 X	D  Ø6 MM X 32 MM 36 X	M3  Ø 6 MM X 1/2" 32 X	B  Ø8 MM X 30 MM 51 X
L  Ø 6 MM X 1 1/2" 12 X	J3  Ø 12 MM X 1 3/4" 13 X	G  12 X	M1  Ø 4 MM X 5/8" 12 X	Q  FULL OVERLAY 2 X	AY1  Ø9 MM X 21 MM 2 X
I  1 X	M  Ø 4 MM X 1/2" 1 X	R1 R2 L1 L2  350 MM 2 X	Z2  2 X	BT6  HALF OVERLAY 2 X	Q2  2 X

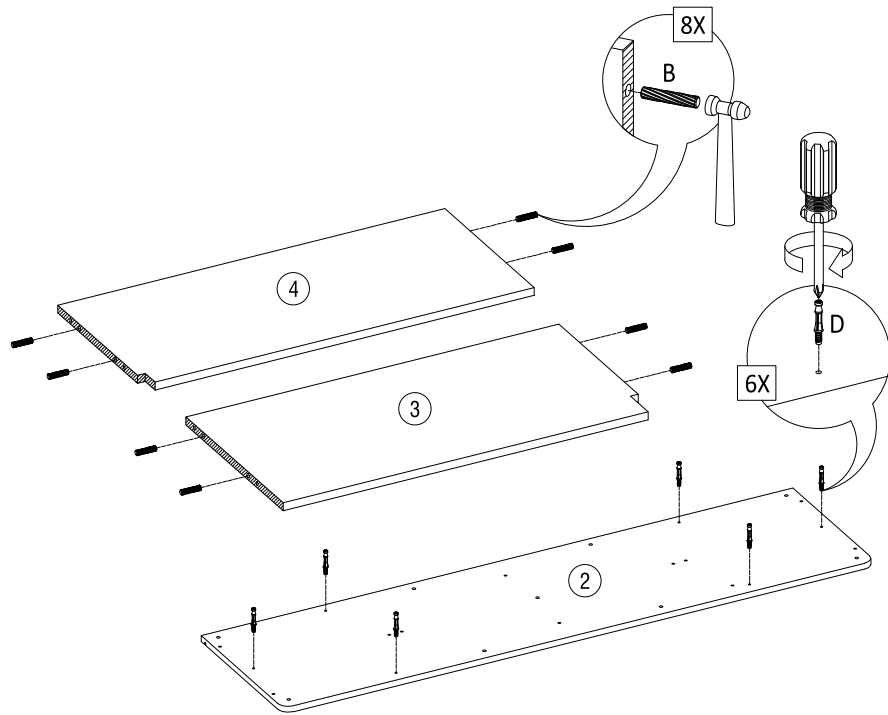


 X 2  ±60 M

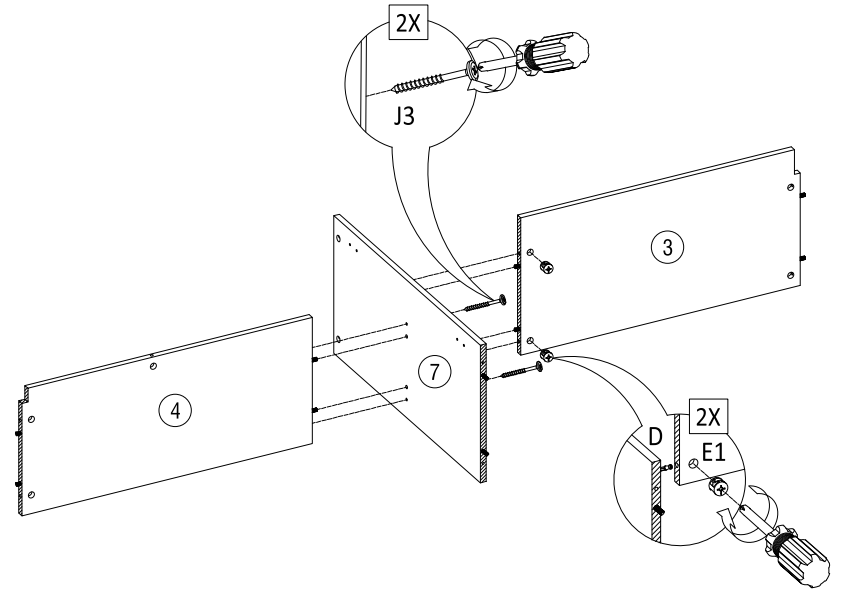
1



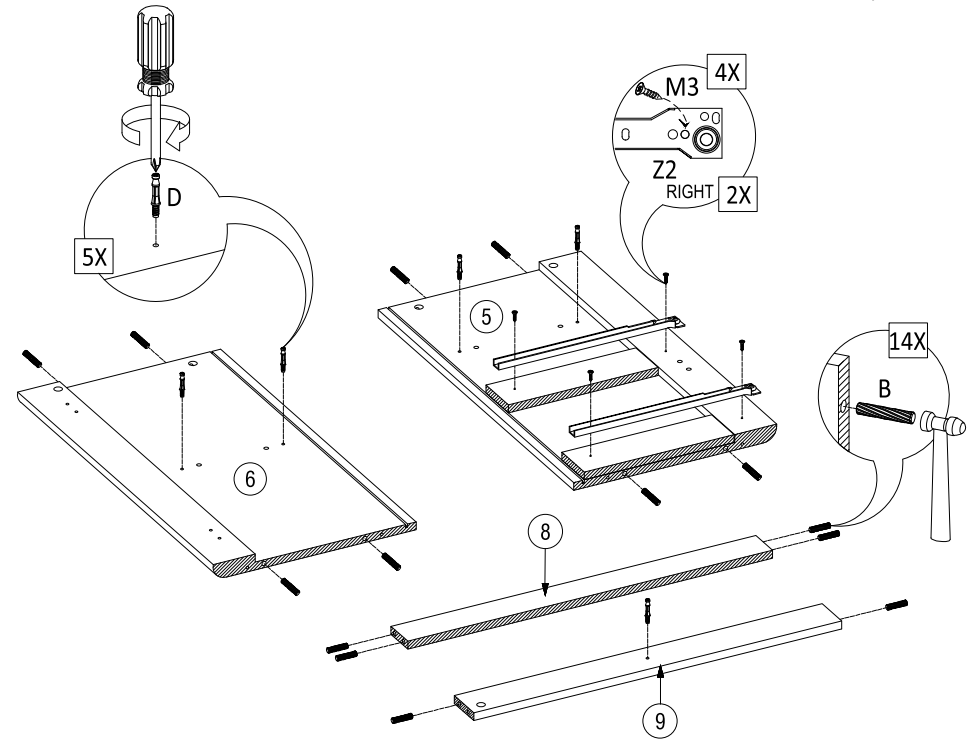
2



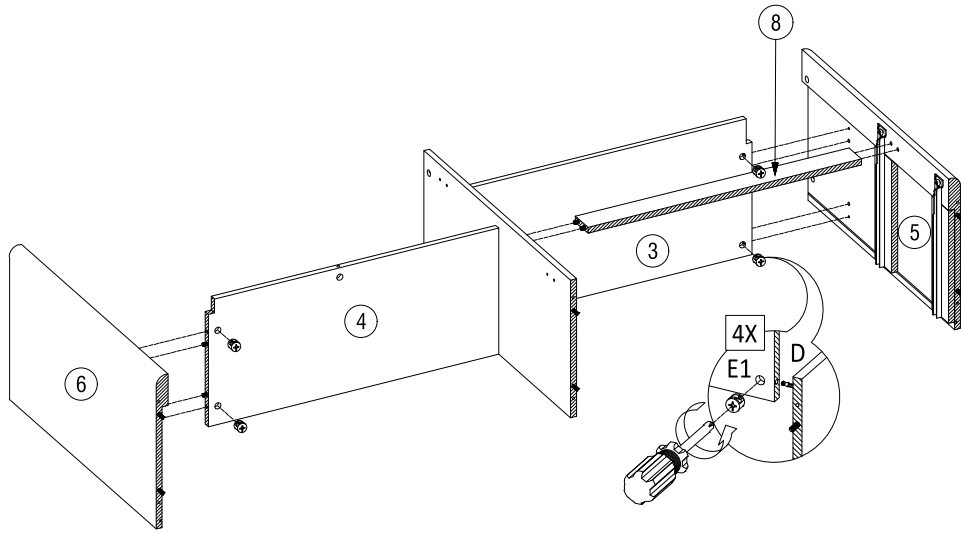
3



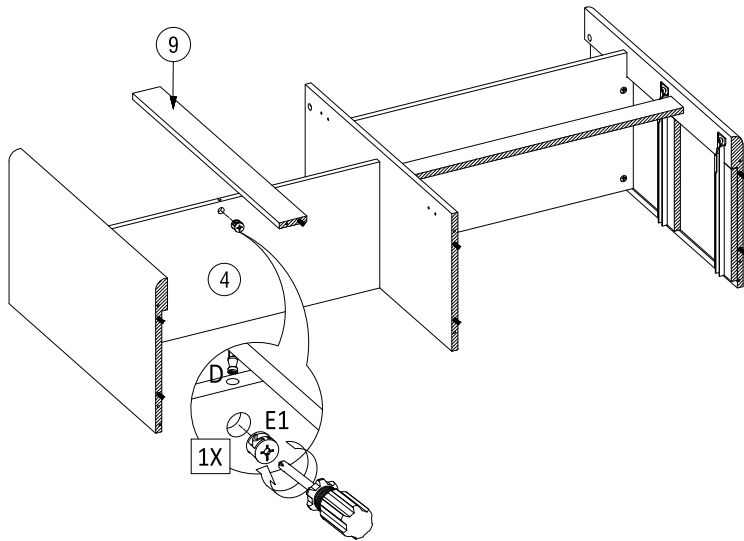
4



5

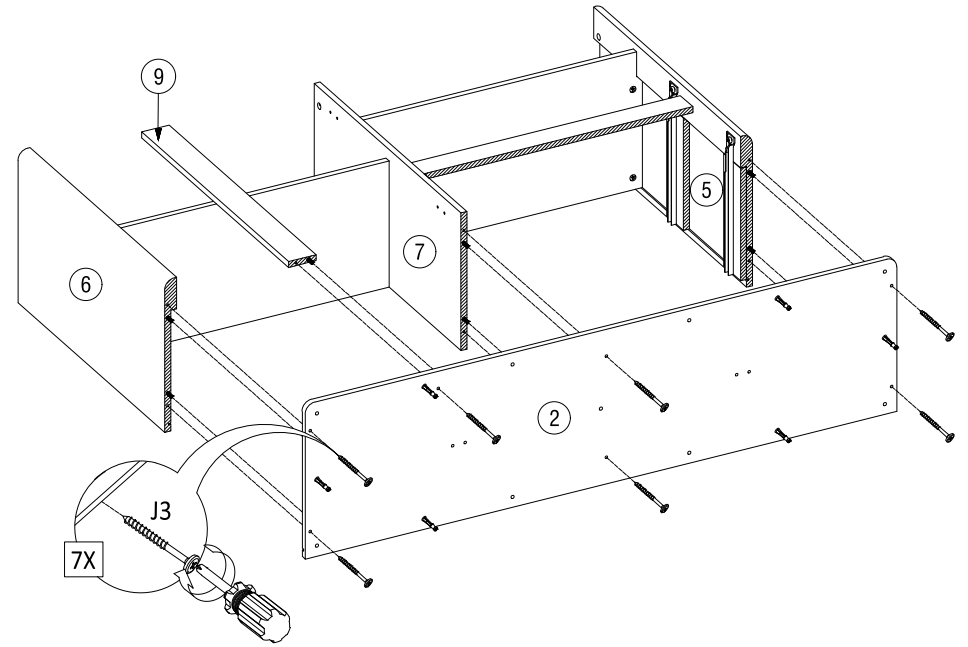


6

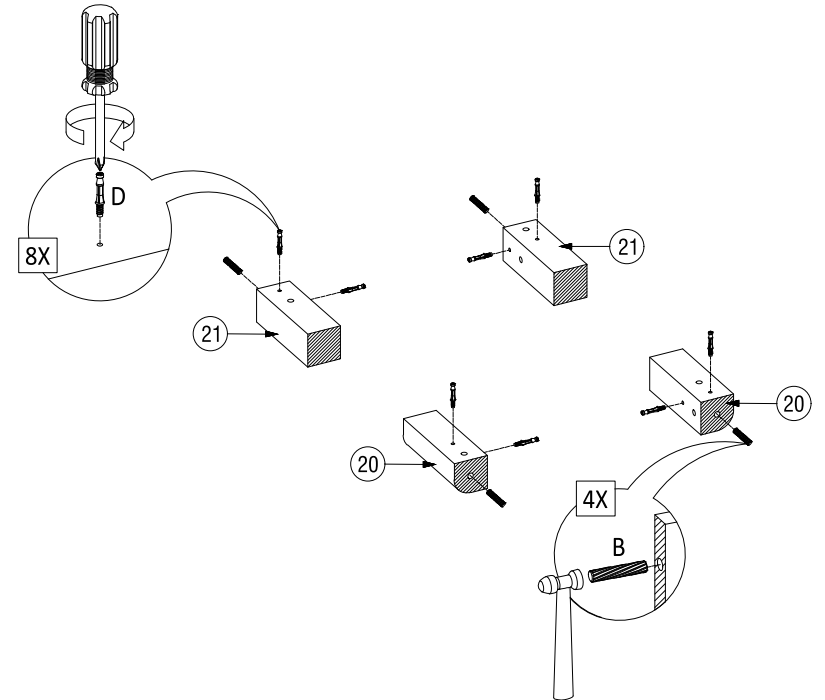


07

7

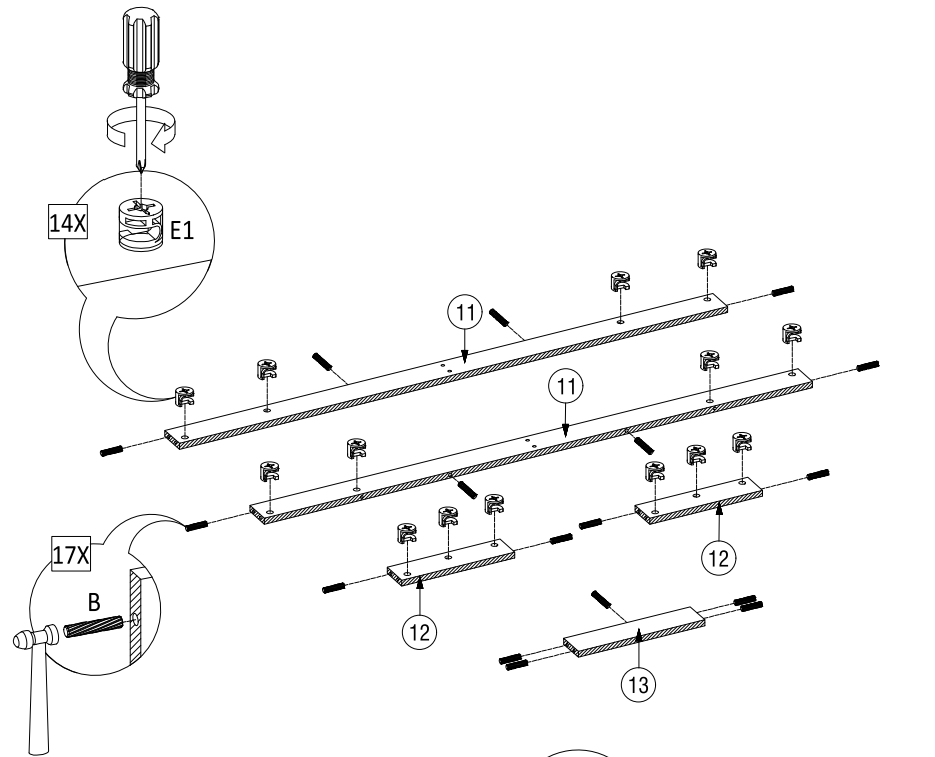


8

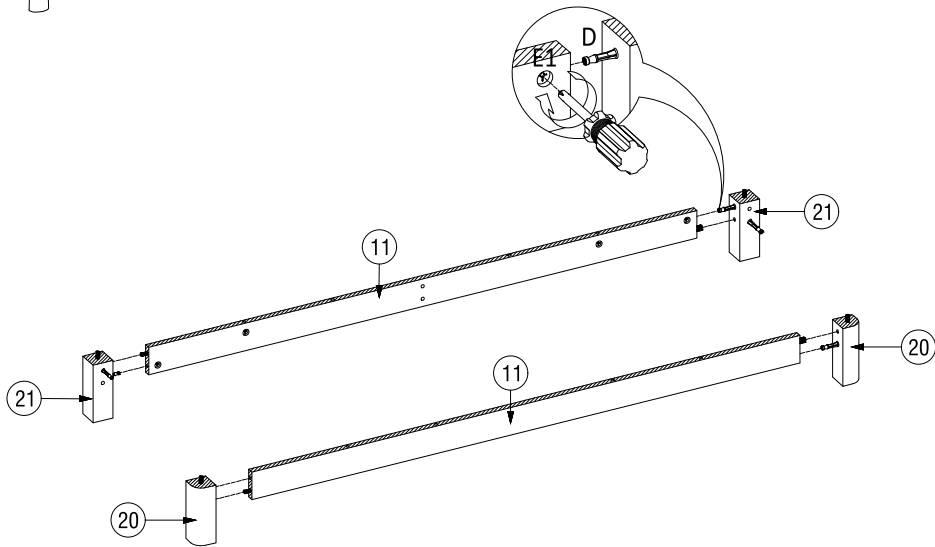


08

9

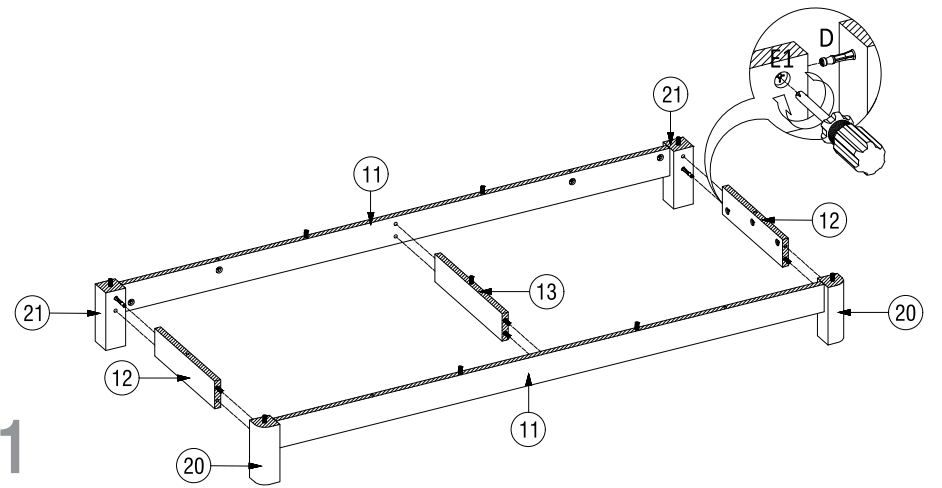


10

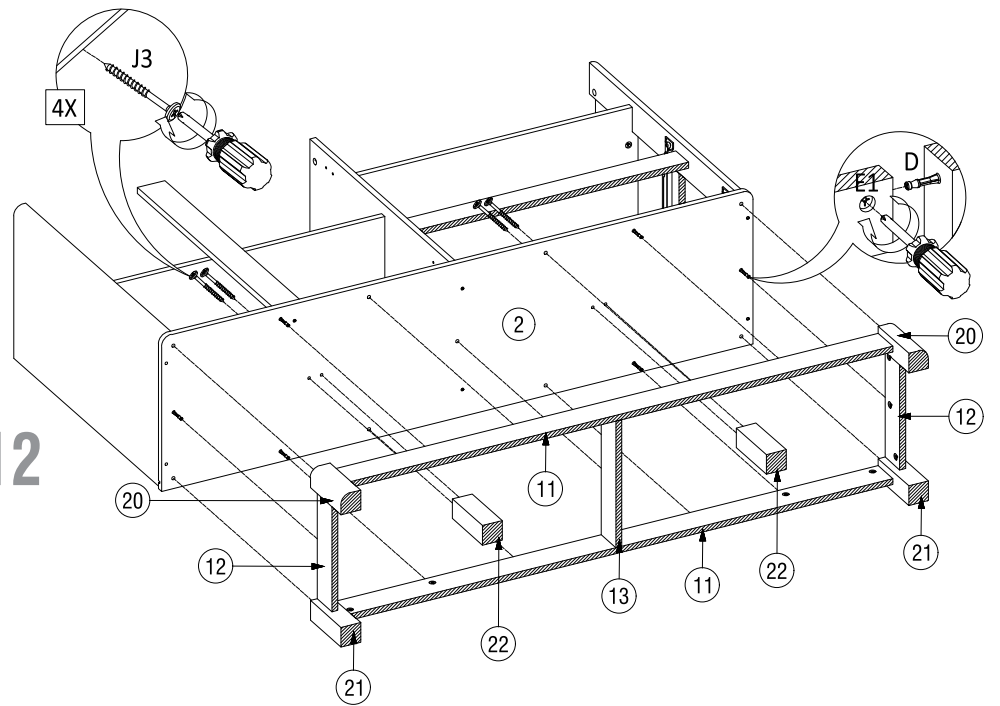


09

11

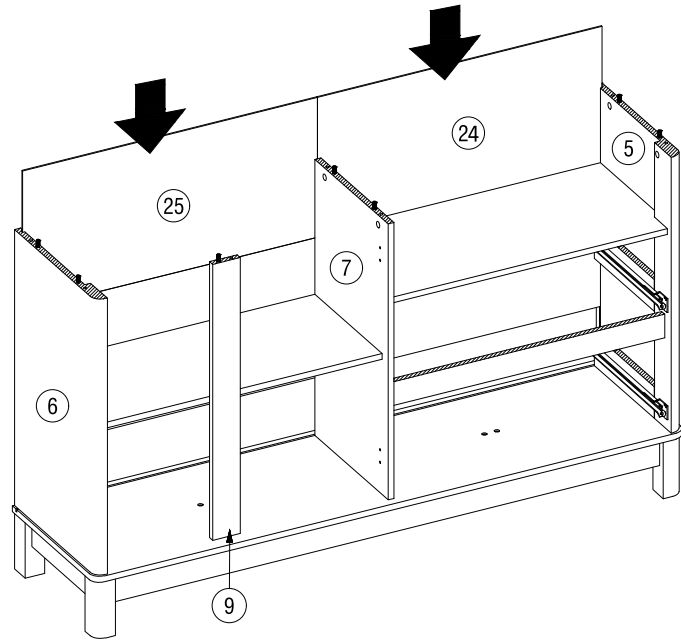


12

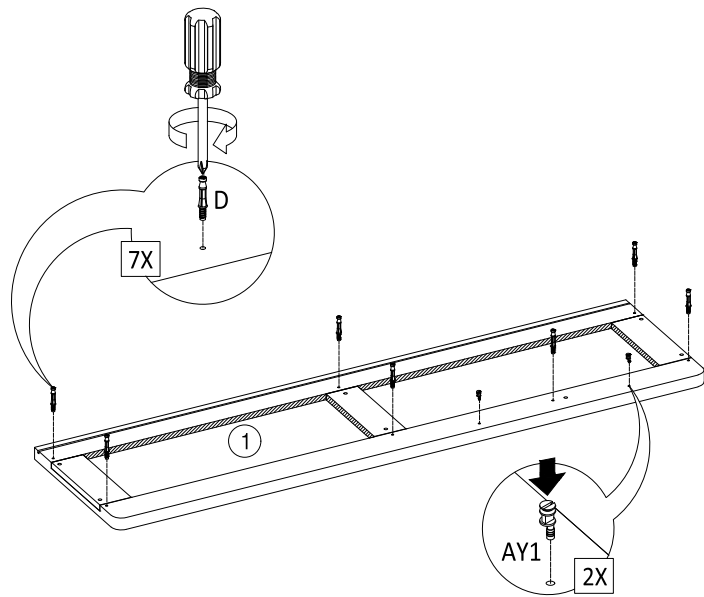


10

13

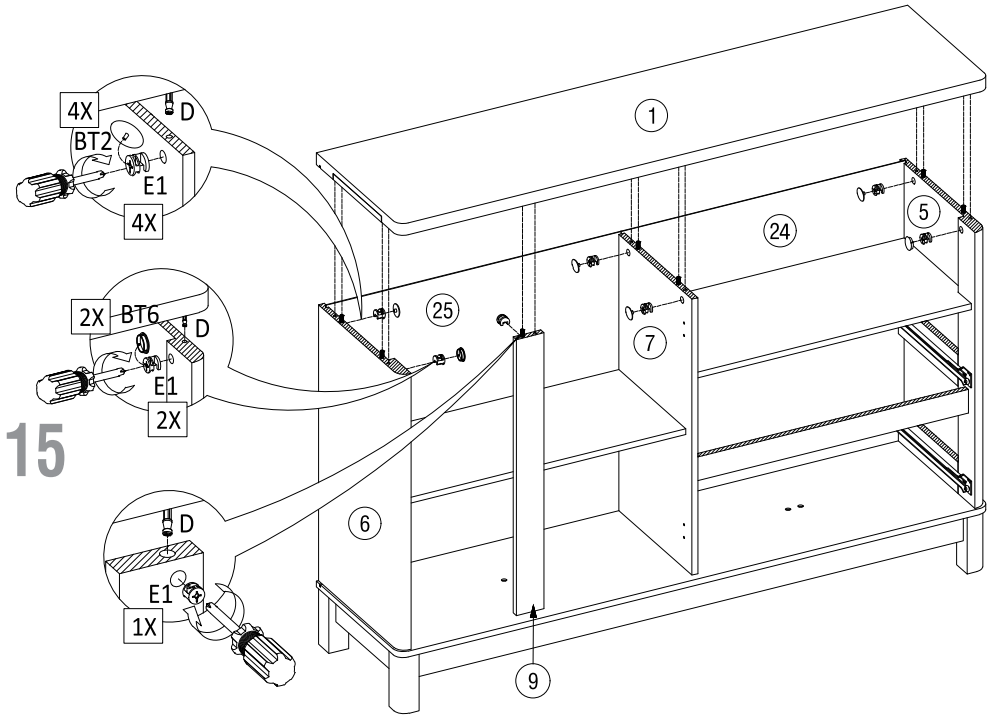


14

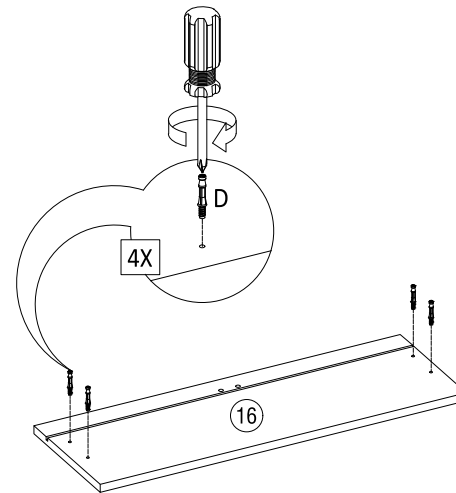


11

15

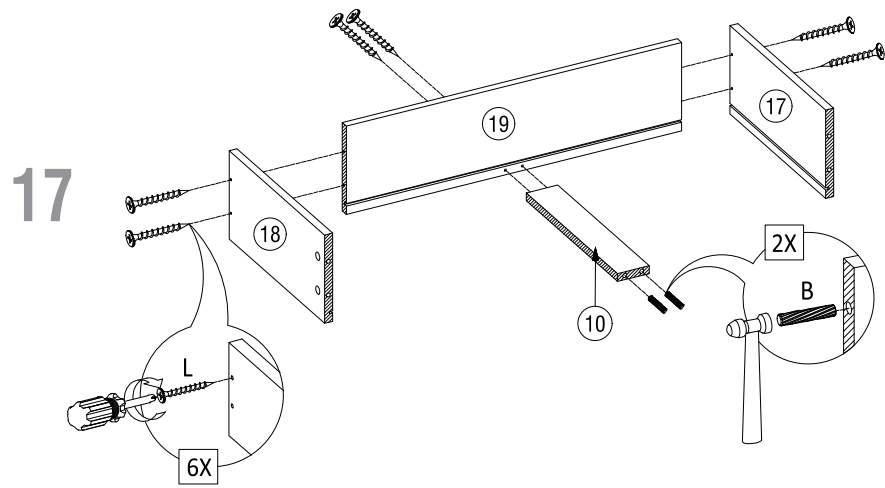


16

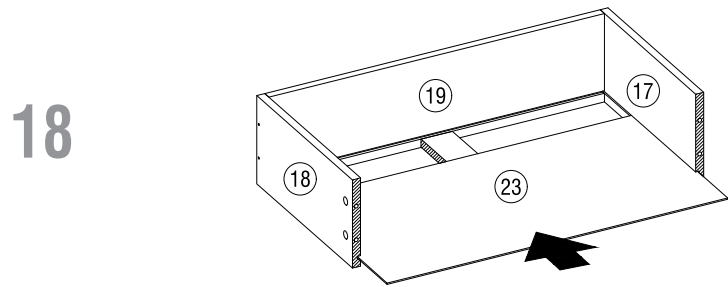


2X

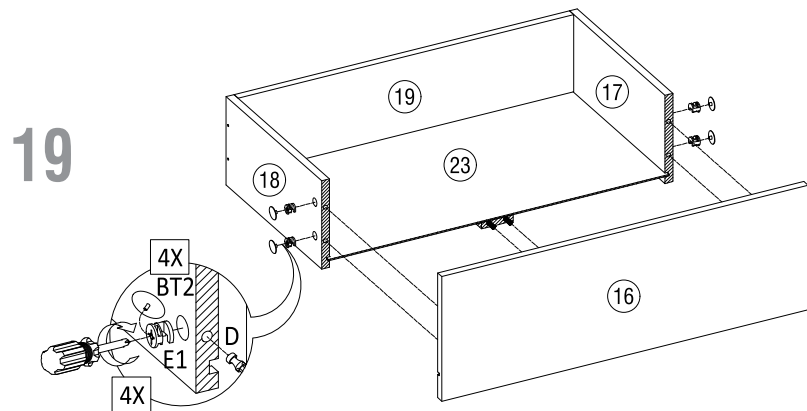
12



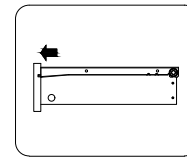
2X



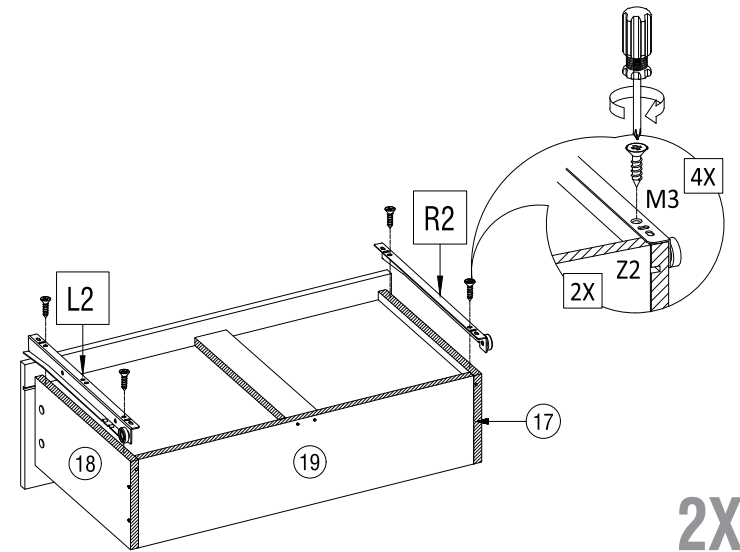
2X



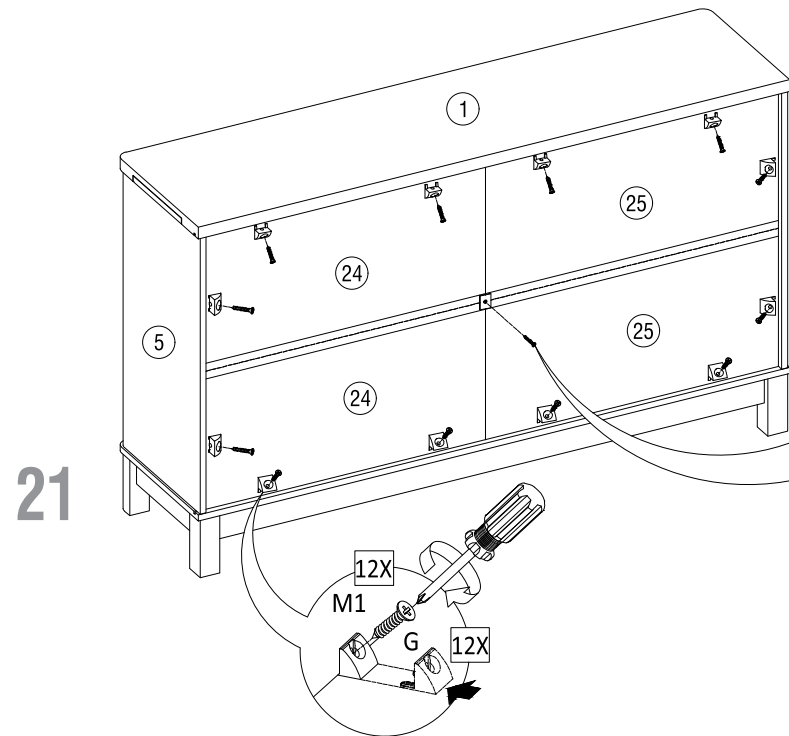
2X



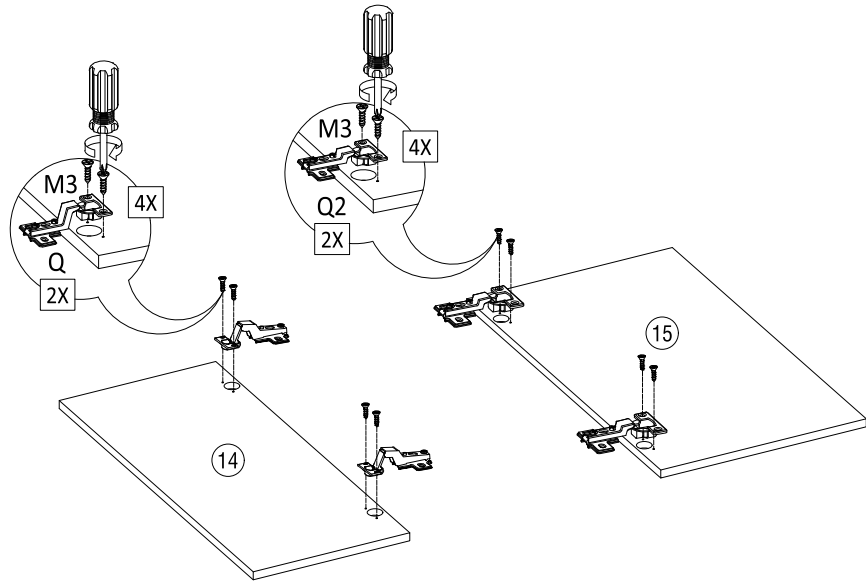
20



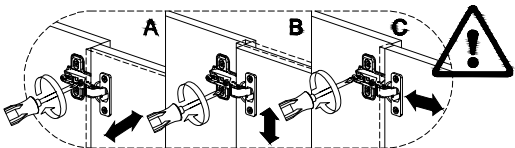
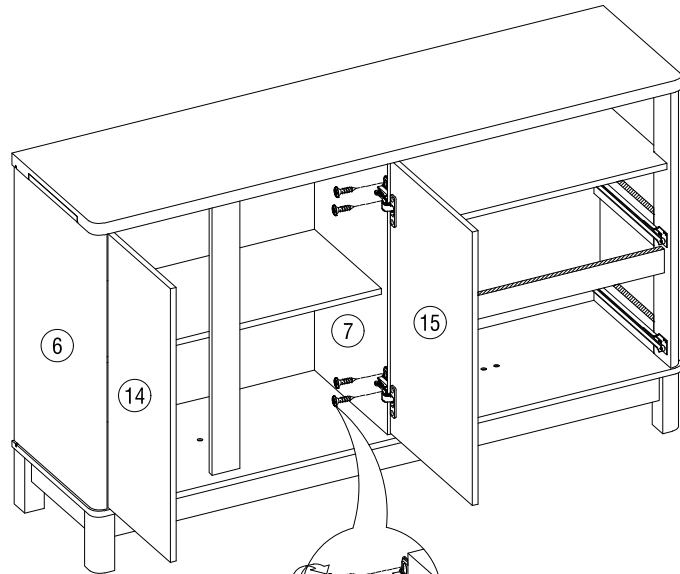
2X



22

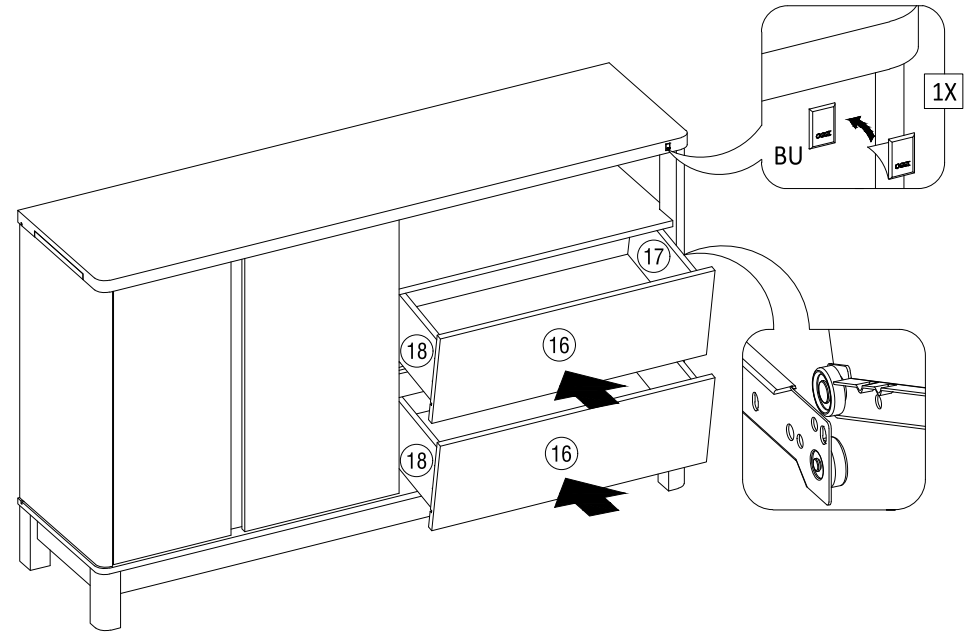


23

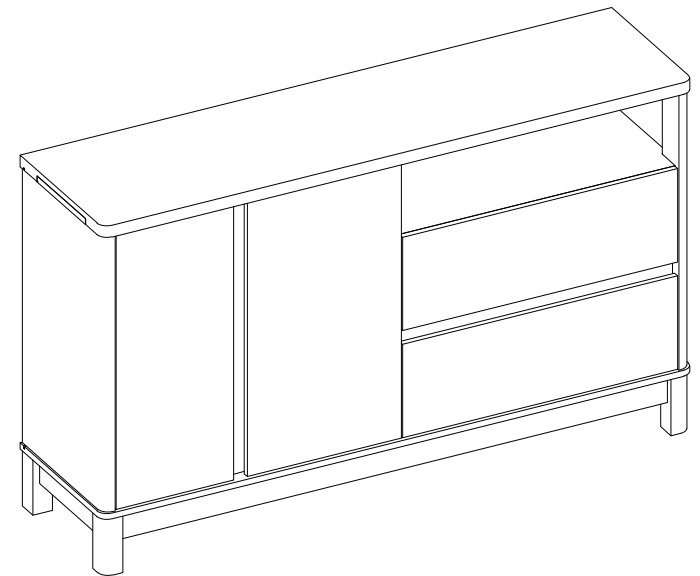


15

24



25



16