


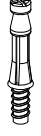


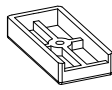

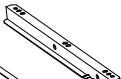

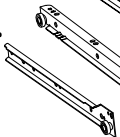
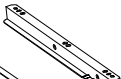


<b>M3</b>  ø 6 MM X 1/2" <b>8 X</b>	<b>M6</b>  ø 6 MM X 5/8" <b>4 X</b>	<b>F1</b>  3/4" <b>8 g</b>	<b>D</b>  <b>2 X</b>	<b>E</b>  ø 12 MM X 10 MM <b>2 X</b>	<b>J</b>  ø 10 MM X 1 3/4" <b>8 X</b>	<b>BB2</b>  12 MM <b>4 X</b>	<b>B1</b>  ø 6 MM X 30 MM <b>6 X</b>
<b>Z</b>  <b>1 SET</b>		<b>L</b>  ø 6 MM X 1 1/2" <b>4 X</b>					
<b>R1</b>  250 MM		<b>R2</b>  <b>1 SET</b>					

