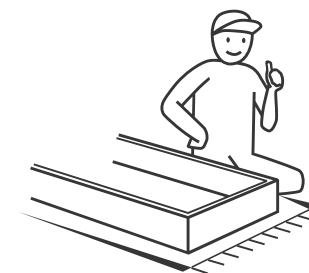
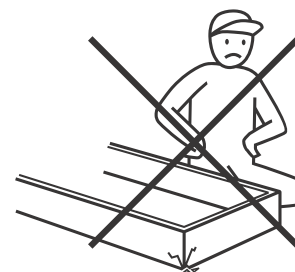
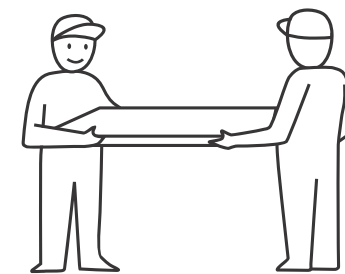
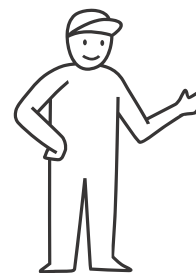



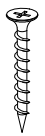

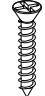


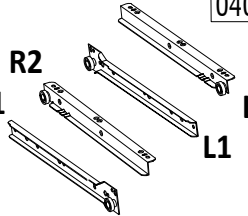



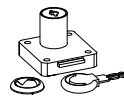





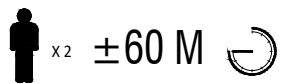
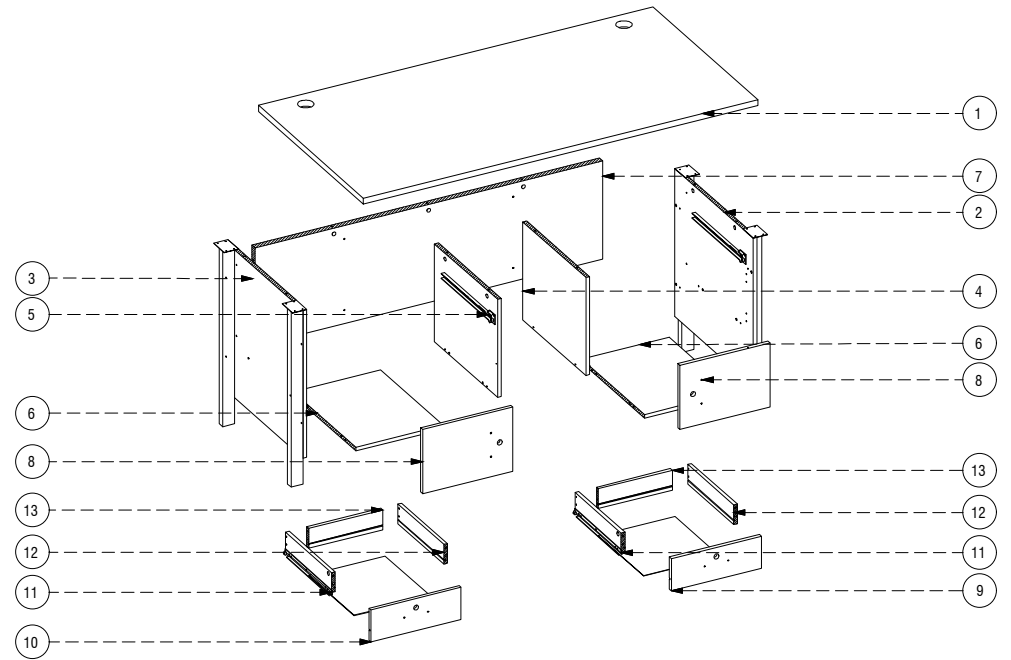
# ASSEMBLING INSTRUCTION

## ACERO WORKING DESK 160

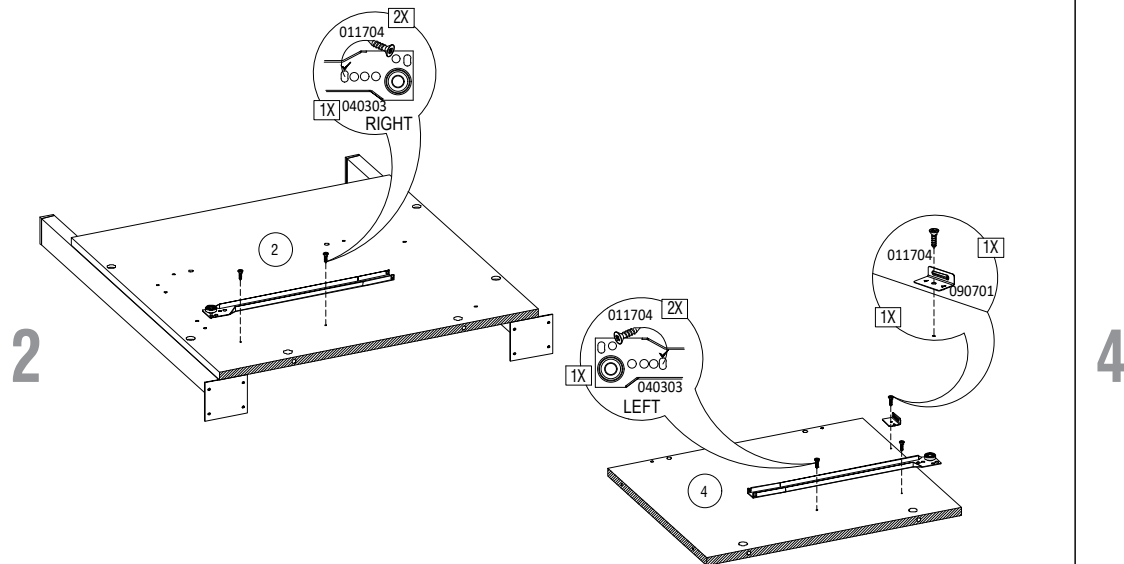
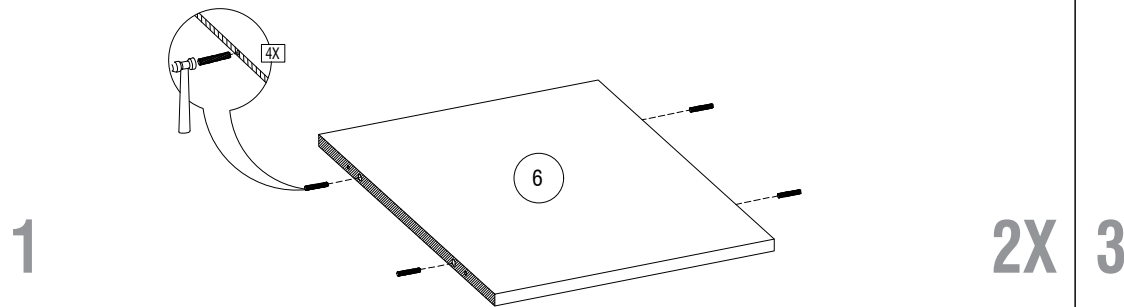
RUSTIC WALNUT - BLACK



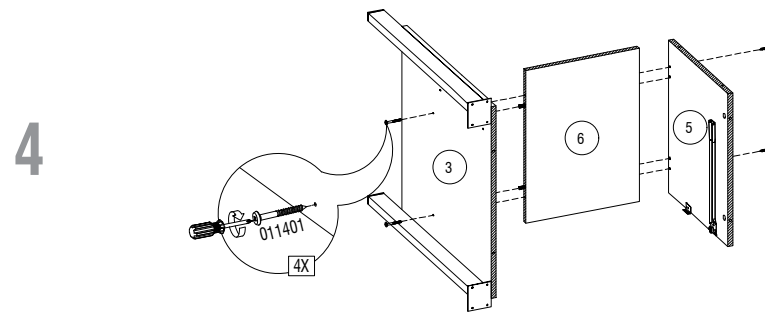
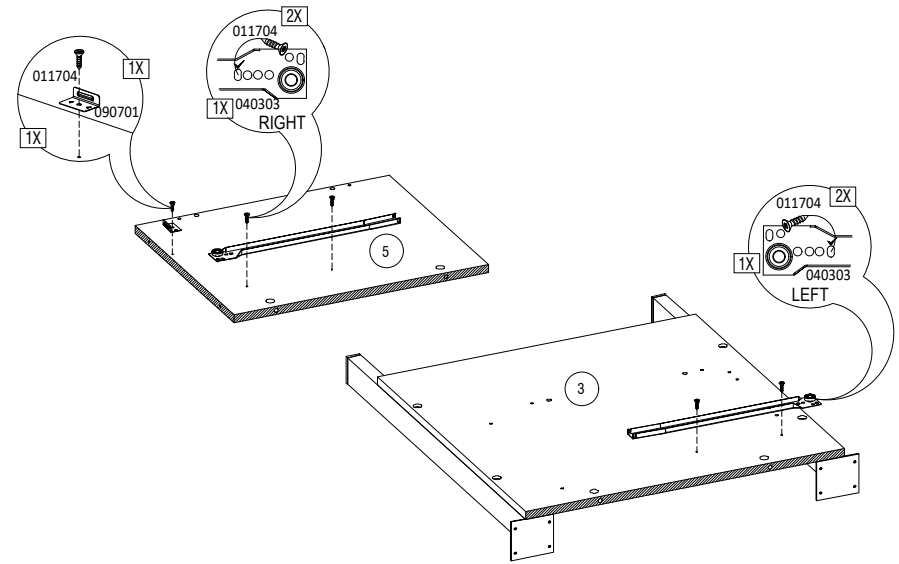
011401  16 X 160502  11 X 011704  Ø6 X 1/2" 52 X	011601  8 X 060121  4 X 011707  Ø6 X 5/8" 16 X	010502  12 X 020301  4 X R2 R1 L2 L1 040303  2 X	010803  15 X 090701  4 X	010701  15 X 030202  4 X 160601  1 X	160501  12 X 160702  2 X
--	--	---	---	---	--










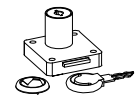


010502	011704	090701	040303	040303
			<b>R1</b> 	<b>L1</b> 
8 X Ø6 X 1/2"	5 X	1 X	RIGHT 1 X	LEFT 1 X

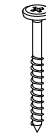





011401	011704	090701	040303	040303
			<b>R1</b> 	<b>L1</b> 
4 X Ø6 X 1/2"	5 X	1 X	RIGHT 1 X	LEFT 1 X

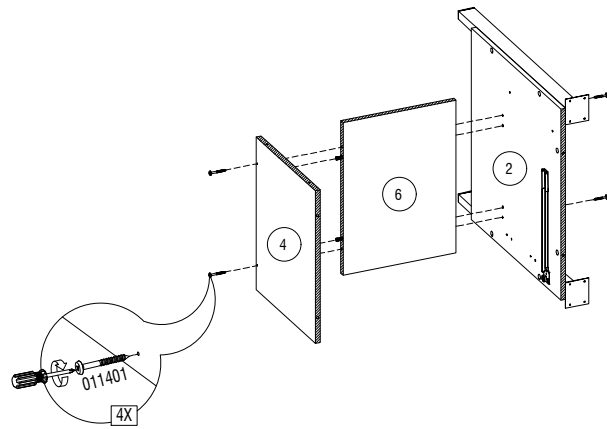


<p>010701</p>  <p>11 X Ø6 X 1/2"</p>	<p>011704</p>  <p>2 X</p>	<p>090701</p>  <p>2 X</p>	<p>011401</p>  <p>4 X</p>
---	--	--	--

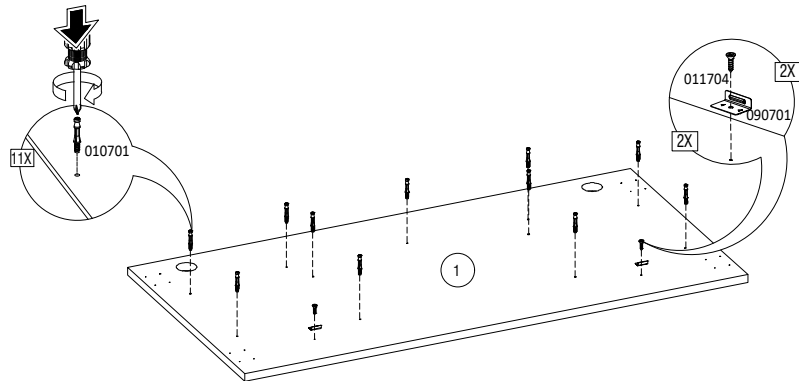
<p>160501</p>  <p>8 X</p>	<p>010803</p>  <p>11 X Ø6 X 1/2"</p>	<p>011704</p>  <p>32 X Ø6 X 1/2"</p>	<p>030202</p>  <p>2 X</p>	<p>060121</p>  <p>2 X</p>	<p>160502</p>  <p>11 X</p>
--	---	---	--	--	---

<p>011401</p>  <p>8 X Ø6 X 5/8"</p>	<p>011707</p>  <p>8 X Ø6 X 5/8"</p>	<p>160702</p>  <p>2 X</p>	<p>020301</p>  <p>4 X</p>
--	--	--	--

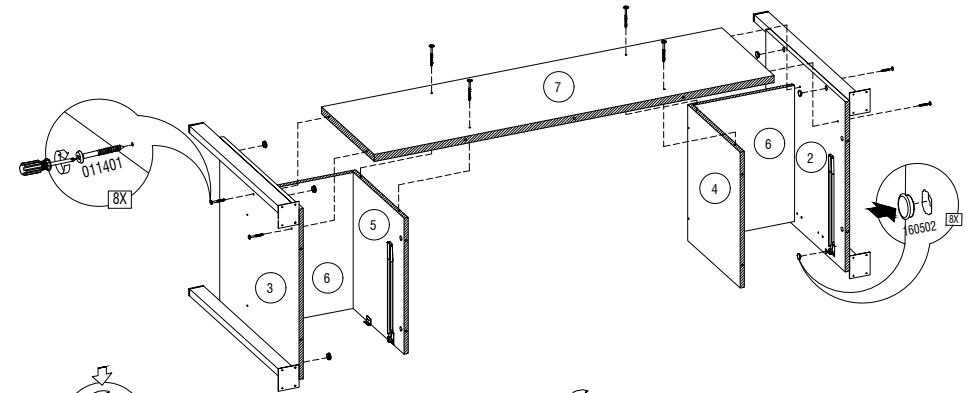
5



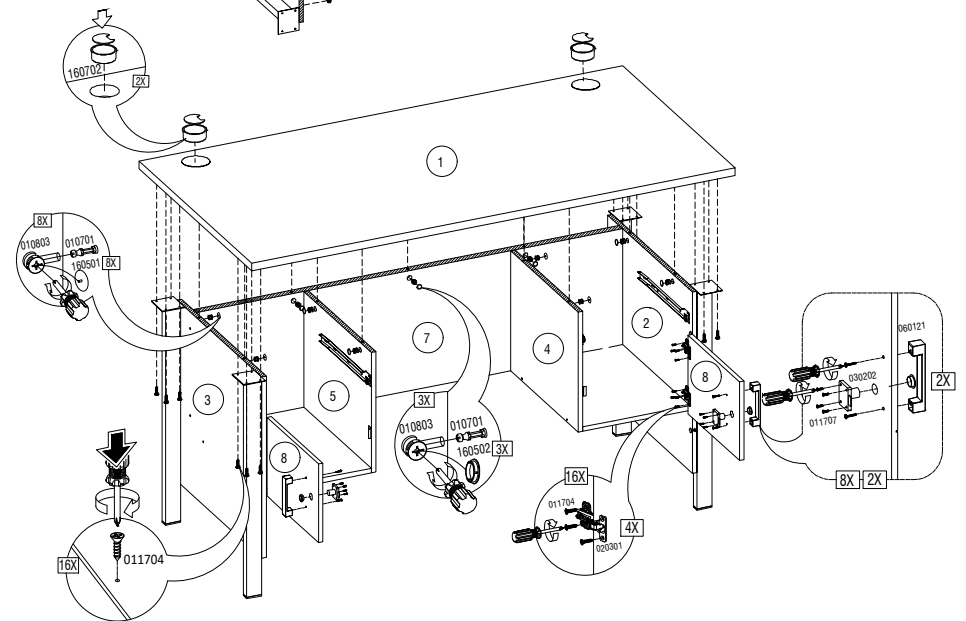
6



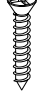
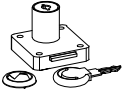









7

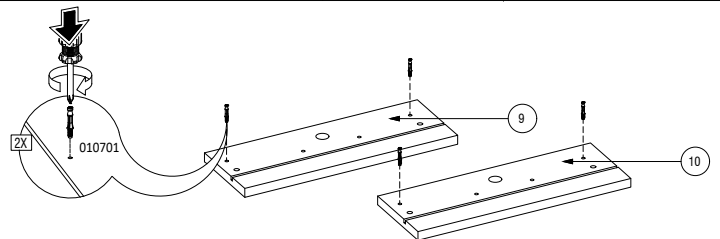


8

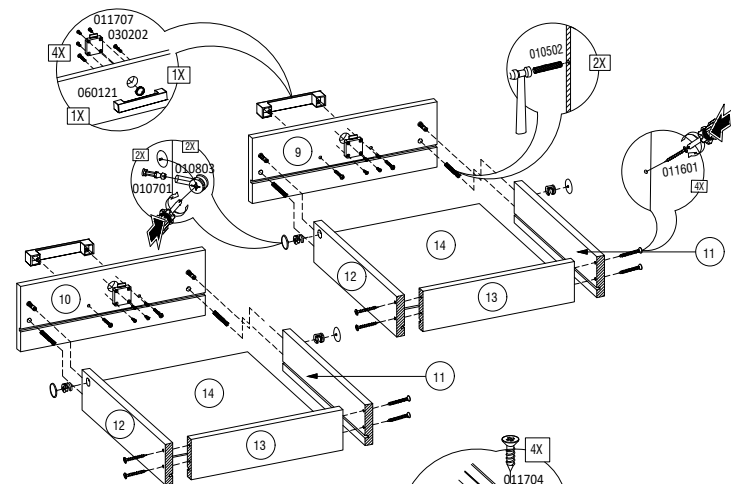


160501 4 X 	010502 4 X 	011707 8 X $\varnothing 6 \times 5/8"$ 	030202 2 X 	060121 2 X 	010701 4 X 
011704 8 X $\varnothing 6 \times 1/2"$ 	040303 2 X R2 	040303 2 X L2 	011601 8 X $\varnothing 6 \text{ MM} \times 1 1/2"$ 	010803 4 X 	

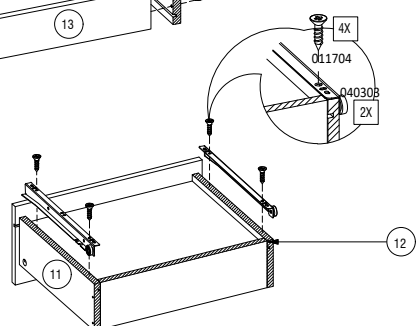
9



10

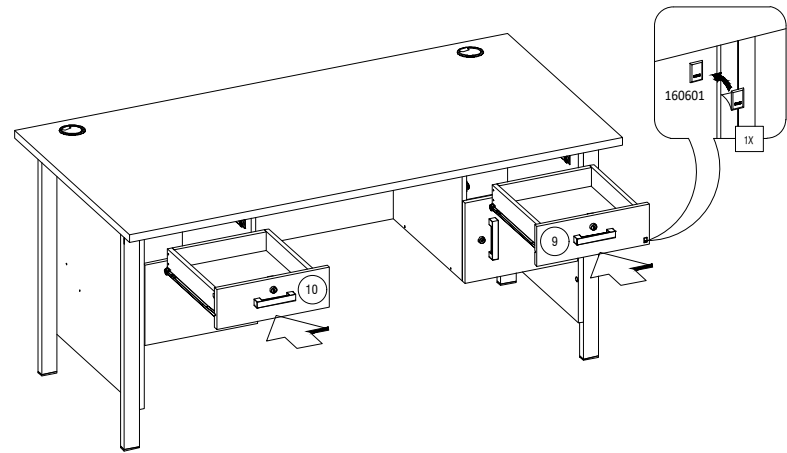


11

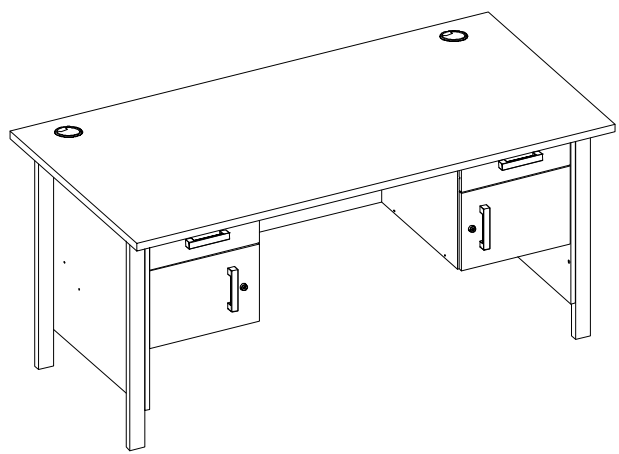



2X

12



13



160601 1 X 
--